

**GEEMAC**



**AURORA**

**PRODUCT  
CATALOGUE**

**GEEMAC**

Office: + 64 9 630 1856

Mobile: +64 21 577 542

Sales: [sales@geemac.co.nz](mailto:sales@geemac.co.nz)

[www.geemac.co.nz](http://www.geemac.co.nz)

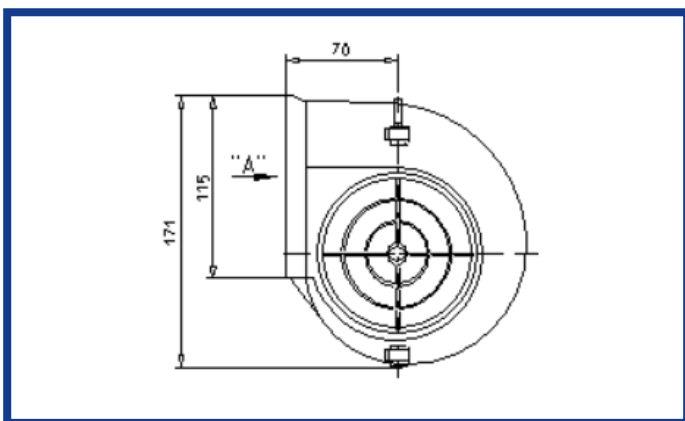
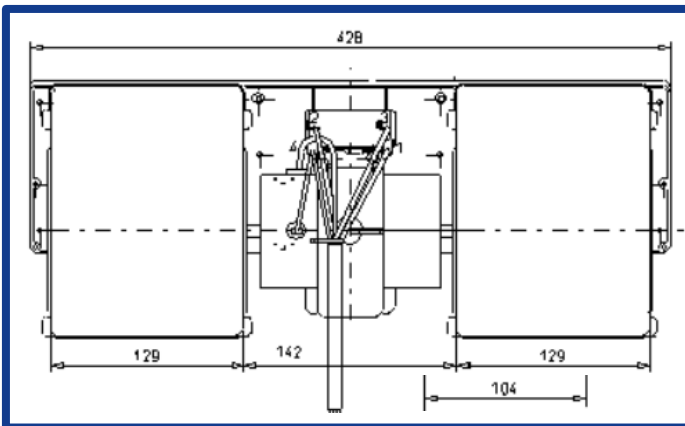
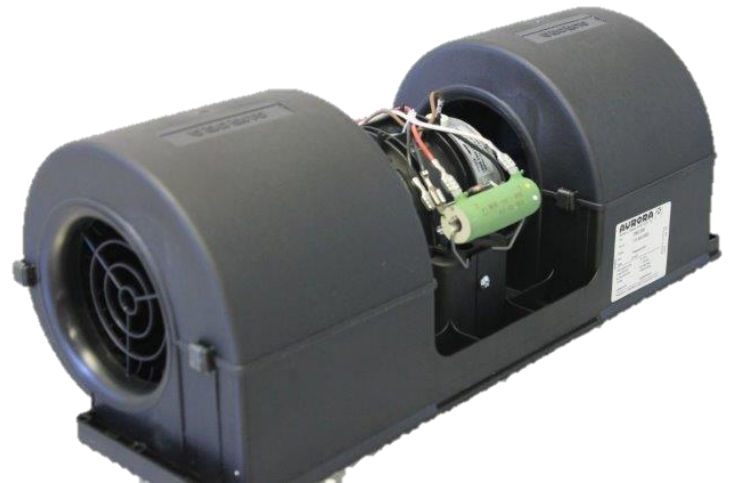


# AURORA

P/N: AB100024

## DRG1000 24V TWIN RADIAL BLOWER

AURORA Twin Radial Blower DRG 1000 is perfect for heating, AC, and ventilation. Its powerful electro motor has high efficiency and a long lifetime of performance. AURORA Twin Radial Blower contains a high air flow vs. system resistance proportion.



Nominal voltage	12V/24V
Test voltage	13V/26V
Air discharge flow	1100 m3/h
Acceptable ambient temperature range	-40° C to +80° C
Weight	ca. 2.5 kg

	Speed 1	Speed 2	Speed 3
V(air) in m3 /h	480	780	1100
Pel in W	282	459	589
Lp in dB(A)	54	64.5	71.5



Office: + 64 9 630 1856

Mobile: +64 21 577 542

Sales: sales@geemac.co.nz

www.geemac.co.nz

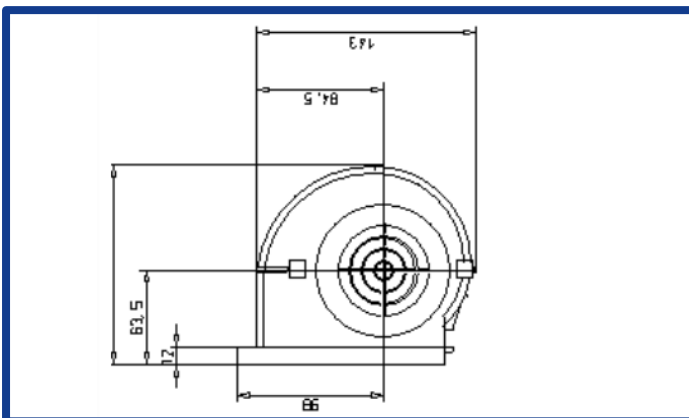
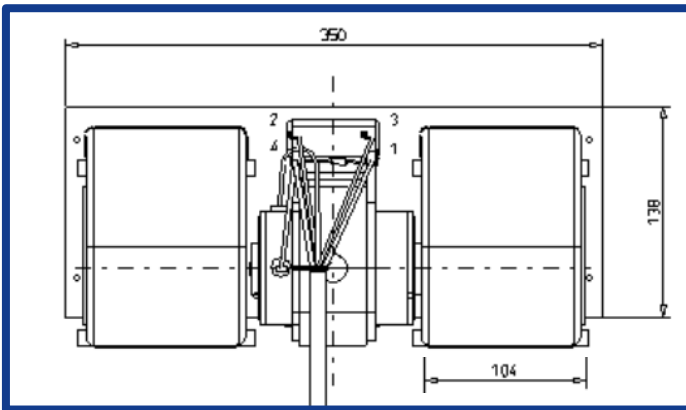
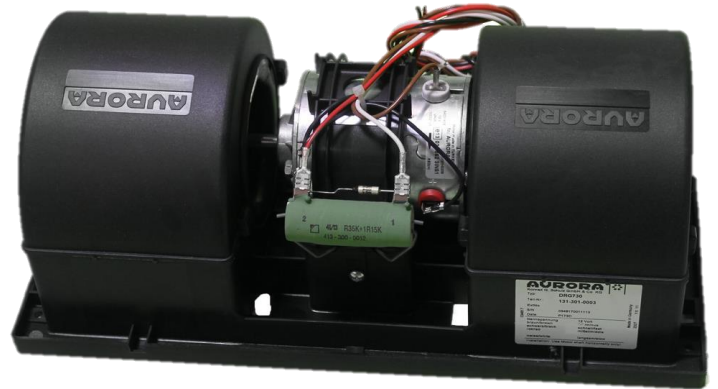


# AURORA

P/N: AB73024

## DRG730 24V TWIN RADIAL BLOWER

Aurora's Double Radial Blower (DRG) design incorporates high performance, low noise, and long life. The compact DRG 730 design produces 770 m<sup>3</sup>/h (453 cfm) of airflow and utilizes longer brushes and internal resistors extending the life of the blowers. This blower is good for compact spaces while offering personal airflow.



Nominal voltage	12V/24V
Test voltage	13V/26V
Air discharge flow	730 m <sup>3</sup> /h
Acceptable ambient temperature range	-40°C to +85°C
Weight	ca. 1,8 kg

	Speed 1	Speed 2	Speed 3
V(air) In m <sup>3</sup> /h	300	540	770
Pel in W	75	160	265
Lp in dB(A)	55	66	73



Office: + 64 9 630 1856

Mobile: +64 21 577 542

Sales: sales@geemac.co.nz

www.geemac.co.nz

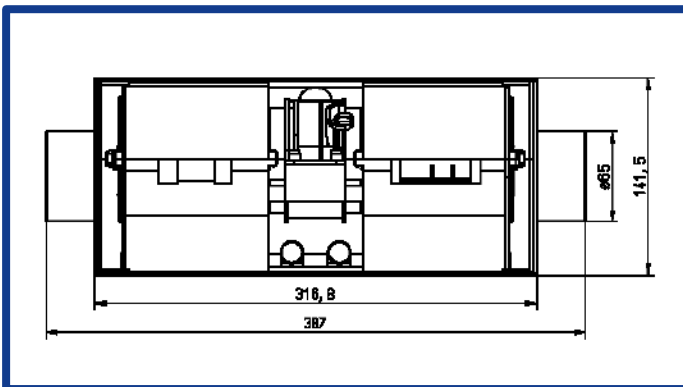
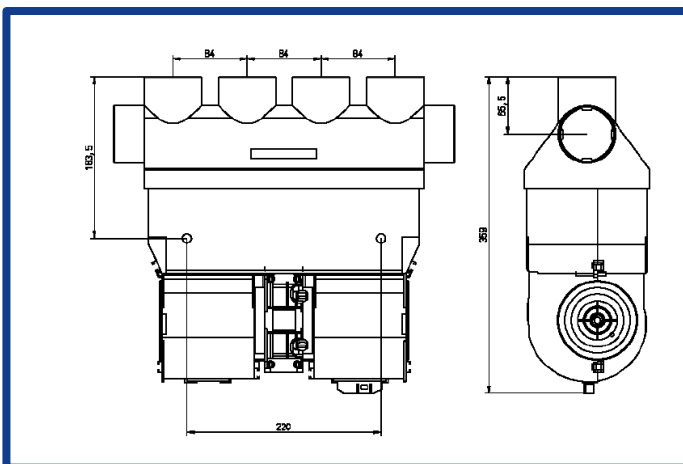


# AURORA

P/N: ADEFT2000

## TEDDY 2000 24V DEFROSTER

The Aurora Teddy 2000 24V Defroster is a reliable heating unit for all kind of busses and cab vehicles. The defroster has outlet molding with six hose connections of 65mm diameter. Its powerful electro motor has high efficiency and a long lifetime of performance.



Nominal voltage	12V/24V
Test voltage	13V/26V
Air discharge flow	385 m <sup>3</sup> /h
Power Consumption	120 W
Weight	ca. 3.5 kg

Heat transfer medium	Water with 0% anti-freeze
Volume flow rate	1000 l/h
Nominal heating power	7.2 kW
Sound intensity level	68 dB(A)
Water connection	15mm

# GEEMAC

Office: + 64 9 630 1856

Mobile: +64 21 577 542

Sales: sales@geemac.co.nz

www.geemac.co.nz



# AURORA

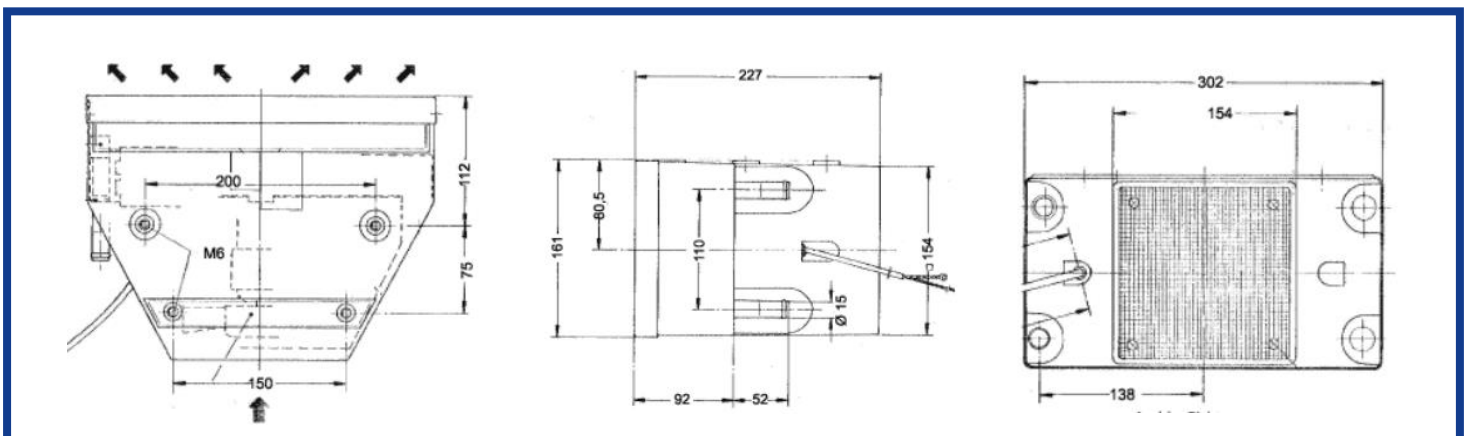
P/N: AHPIC24

## PICCOLO 24V HEATER

The Piccolo 24V Heater is ideal fitted under the seat or on the floor. Piccolo's have a flat-tube heat exchanger system made from copper/brass and an axial fan. This is all run by a powerful electric motor with high service life. Piccolo's are perfect for any bus or truck cab.



Nominal heating power	3.7 kW	Weight	3.6kg
Volume air flow	246m <sup>3</sup> /h	Nominal voltage	12/24V
Power consumption	37W	Water connection	15/22mm
Sound intensity level	68 dB(A)	Water flow rate	1000l/h



# GEEMAC

Office: + 64 9 630 1856

Mobile: +64 21 577 542

Sales: sales@geemac.co.nz

www.geemac.co.nz

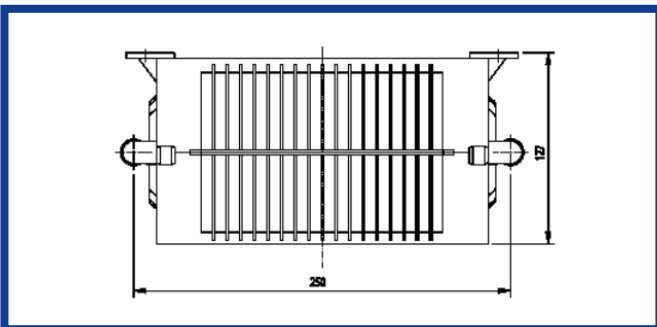
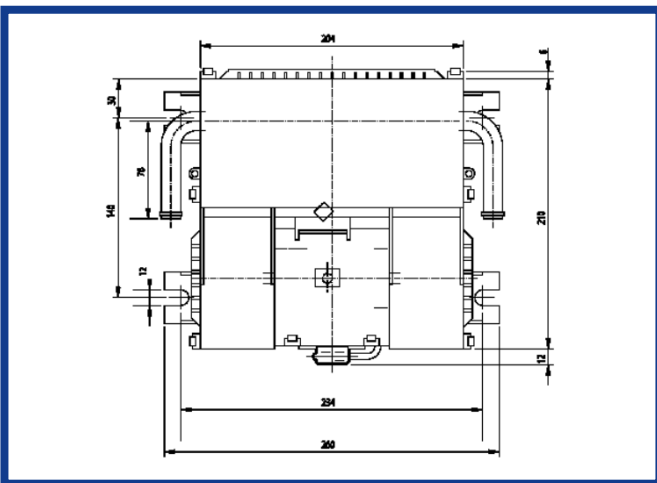


# AURORA

P/N: AHKK24

## KKH 24V 1-SPEED HEATER

Ideal and powerful heater solution for small cabs and universal usage. AURORA heater KKH allows many applications and installation options as a main or supplementary unit – below seat, drivers space, door entry, defroster, dashboard etc.



Weight	ca. 1.8kg
Nominal voltage	12/24V
Water connection	15mm
Heating	55kW

Nominal heating power	3.6 kW
Volume air flow	185 m3/h
Power consumption	40W
Sound intensity level	65 dB(A)



Office: + 64 9 630 1856

Mobile: +64 21 577 542

Sales: sales@geemac.co.nz

www.geemac.co.nz

# ROUND DRIVER VENTS RANGE

Available in multiple sizes this louver is built for durability and functionality. Its multiple fixation capabilities also make this louver extremely adaptable. With a standard 3mm clip range, it easily snaps into most surfaces. For headliners and dash cutouts greater than a 3mm thickness, the RD Range can also be fixed into position via screw holes in the mounting base. 360° rotation provides maximum air flow in any desired direction.



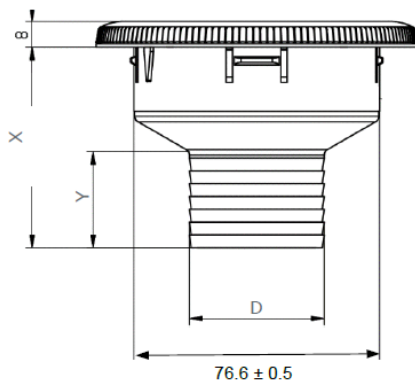
## Material & Colour

Polyamide PA6 35% glass fiber reinforced  
Standard Color: black, similar to RAL 9005

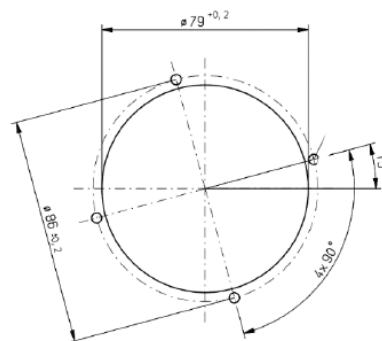
## Variations

Part Number	D Adaptor Ø (mm)	X (mm)	Y (mm)
AVRD50	50	49	18
AVRD65	65	62.5	38
AVRD70	70	63	40

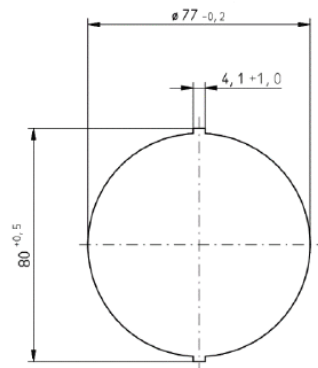
Adaptor Dimensions may Vary



Screw Fixation Cutout



Clip Fixation Cutout





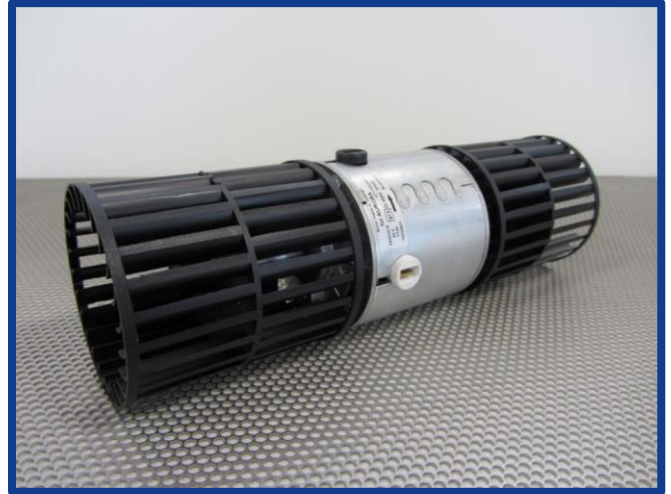


**AURORA**

# TEDDY 2000 MOTOR & FAN ASSEMBLY (24V)

(P/N: AMTRTED2000)

Replacement motor & fan full assembly for an AURORA Teddy 2000 (24V) Demister Unit.



# PICCOLO HEATER REPLACEMENT MOTOR (24V)

(P/N: AMTRPIC24)

Replacement 24V motor for an Aurora Piccolo Heater.



**GEEMAC**

Office: + 64 9 630 1856

Mobile: +64 21 577 542

Sales: sales@geemac.co.nz

www.geemac.co.nz



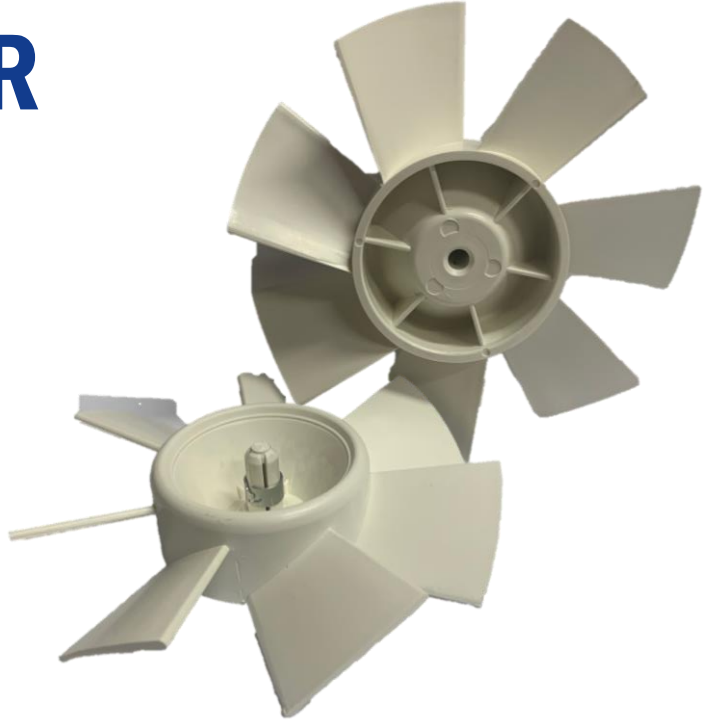


**AURORA**

# PICCOLO HEATER REPLACEMENT FAN BLADE

P/N: AFANPIC)

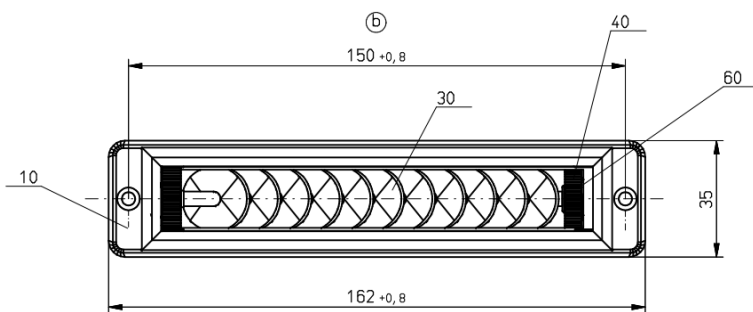
Replacement fan blade for a 24V  
Aurora Piccolo Heater Unit.



# SPINDLE VENT

(P/N: AVSPIN)

This roll louver has a slim profile allowing it to be located near the wind shield for defrost applications. The inner roll rotates allowing flexible air distribution.



Office: + 64 9 630 1856

Mobile: +64 21 577 542

Sales: sales@geemac.co.nz

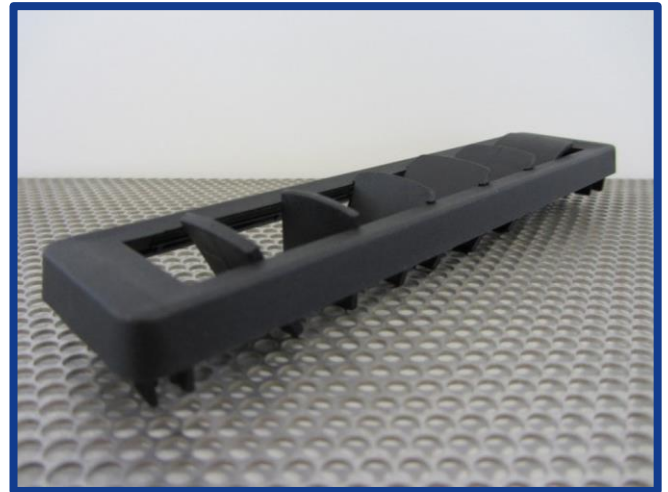
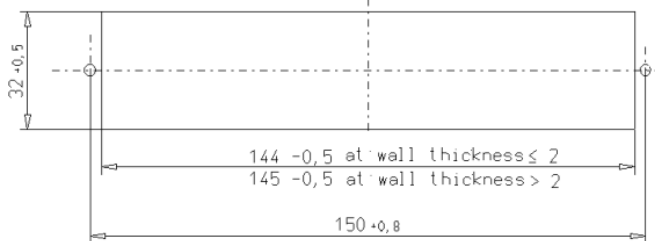
www.geemac.co.nz

# QUARTER CIRCLE VENT

(P/N: AVQC)

AURORA quarter-circle nozzle to be typically used as a defrost louver.

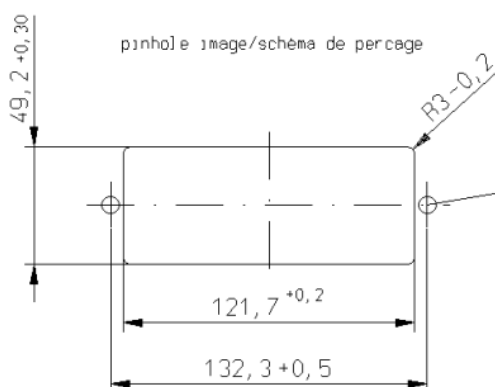
Mounting cut-out at 334-150-0002:



# DRIVERS LOUVRE VENT

(P/N: AVSDL)

AURORA small louver for universal use in nearly all positions.





Office: + 64 9 630 1856  
Mobile: +64 21 577 542  
Sales: [sales@geemac.co.nz](mailto:sales@geemac.co.nz)  
[www.geemac.co.nz](http://www.geemac.co.nz)