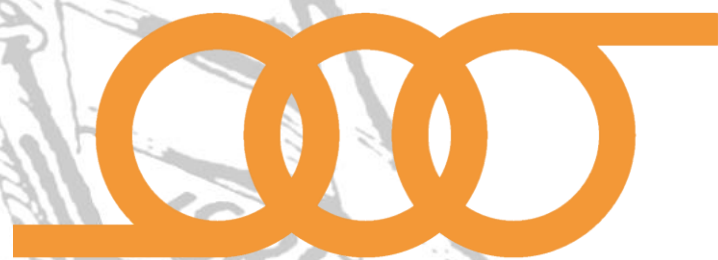


GEEMAC



ISRINGHAUSEN

ISRI®

DRIVERS SEAT CATALOGUE

GEEMAC

Office: + 64 9 630 1856

Mobile: +64 21 577 542

Sales: sales@geemac.co.nz

www.geemac.co.nz | www.isringhausen.co.nz

ISRINGHAUSEN SPARE PARTS AND ACCESORIES

We carry a full range of spare parts and accessories for Isringhausen drivers seats.
At your request we can supply pricing and availability for the part that you are looking for. Additionally we have spare parts lists that align to each seat in our range. These are detailed and will allow you to distinguish what part number is assigned to the part you are looking for.

If you have any questions or requests in regards to Isringhausen spare parts and accessories, please contact us.



ISRI 6860/875 PRO NTS AIR SUSPENSION SEAT

DRIVERS SEAT



Experience the safety and comfort of the ISRI 6860/875 Pro NTS. Advanced design incorporating third generation suspension technology ensures maximum safety and comfort. Efficient operating weight range from 50 to 150kg, integrated 3-point seat belt, integrated head restraint, adjustable vertical shock absorber, integrated pneumatic system (IPS) dual stage air lumbar with lateral support and anatomically shaped cushion and backrest foams are just some of the standard features in the ISRI 6860/875 Pro NTS.

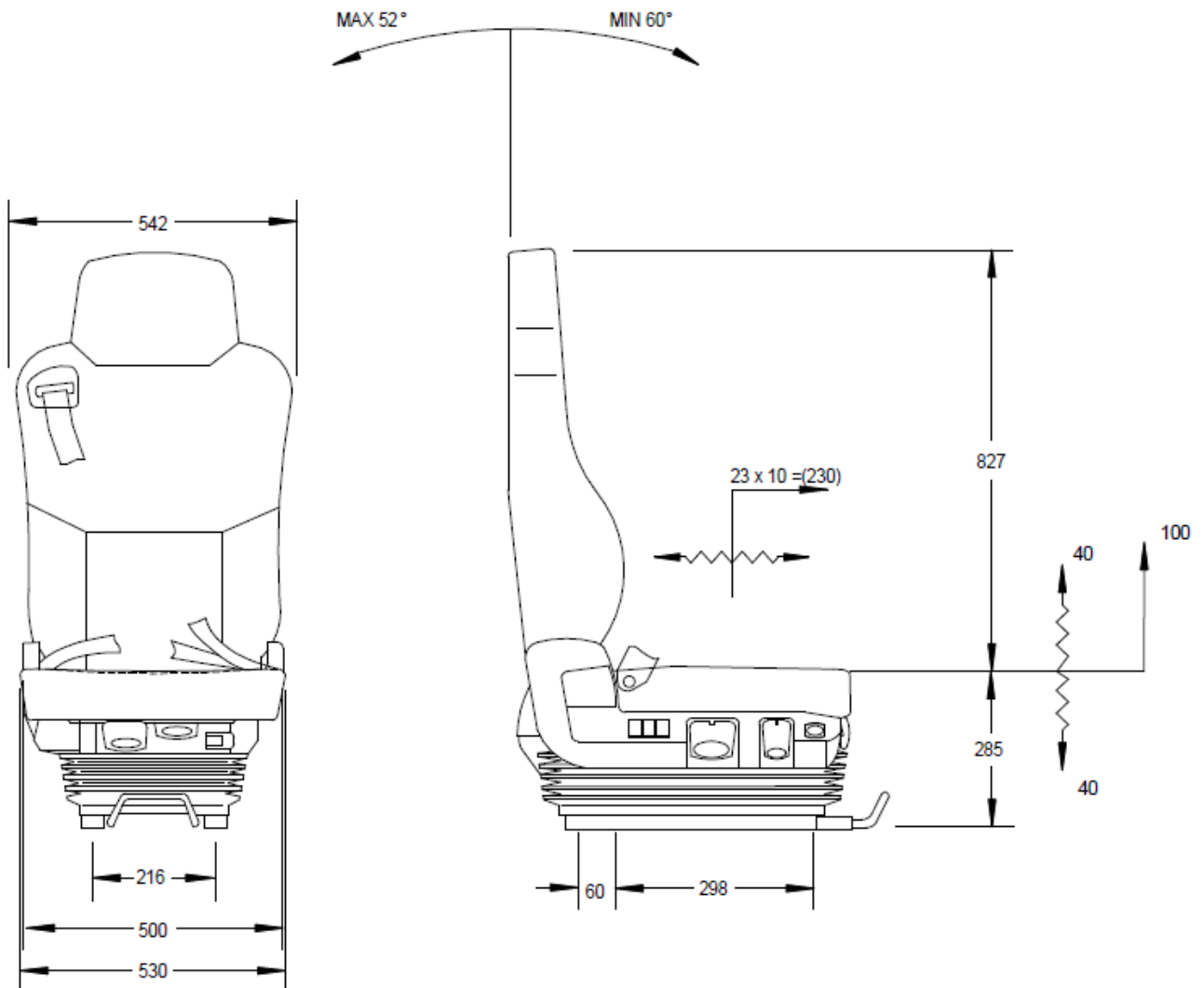
Features Include:

- Integrated 3-point seat belt system.
- Self leveling air suspension supports a weight range from 50 to 150Kg.
- Air Height Adjustment of 100mm.
- Adjustable vertical shock absorber.
- Horizontal isolator.
- Integrated pneumatic system (IPS) dual stage air lumbar with lateral support.
- Suspension quick release.
- Horizontal adjustment.
- Cushion tilt and length adjustment.
- High backrest with integrated headrest
- Backrest and shoulder adjustment.
- Adjustable sash guide.
- Available in right hand controls only.
- Trimmed in breathable charcoal cloth.
- **Accessories:**
- Hardware and Air Fittings.
- LH & RH Armrest
- Seat cover.



ISRI 6860/875 PRO NTS AIR SUSPENSION SEAT

TECHNICAL DRAWING



Please Note: This technical drawing may not accurately depict the exact dimensions as some seat models are subject to change without notification.



ISRI 6860/875 NTS AIR SUSPENSION SEAT

DRIVERS SEAT

Experience the safety and comfort of the ISRI 6860/875 NTS. Advanced design incorporating third generation suspension technology ensures maximum safety and comfort. Efficient operating weight range from 50 to 150kg, integrated 3-point seat belt, integrated head restraint, adjustable vertical shock absorber, integrated pneumatic system (IPS) dual stage air lumbar with lateral support and anatomically shaped cushion and backrest foams are just some of the standard features in the ISRI 6860/875 NTS.

Features Include:

- Integrated 3-point seat belt system.
- Self-levelling air suspension supports a weight range from 50 to 150Kg.
- Air Height Adjustment of 100mm.
- Adjustable vertical shock absorber.
- Integrated pneumatic system (IPS) dual stage air lumbar with lateral support.
- Horizontal adjustment of 230mm.
- Cushion tilt and length adjustment.
- High backrest with integrated head restraint.
- Backrest and shoulder adjustment.

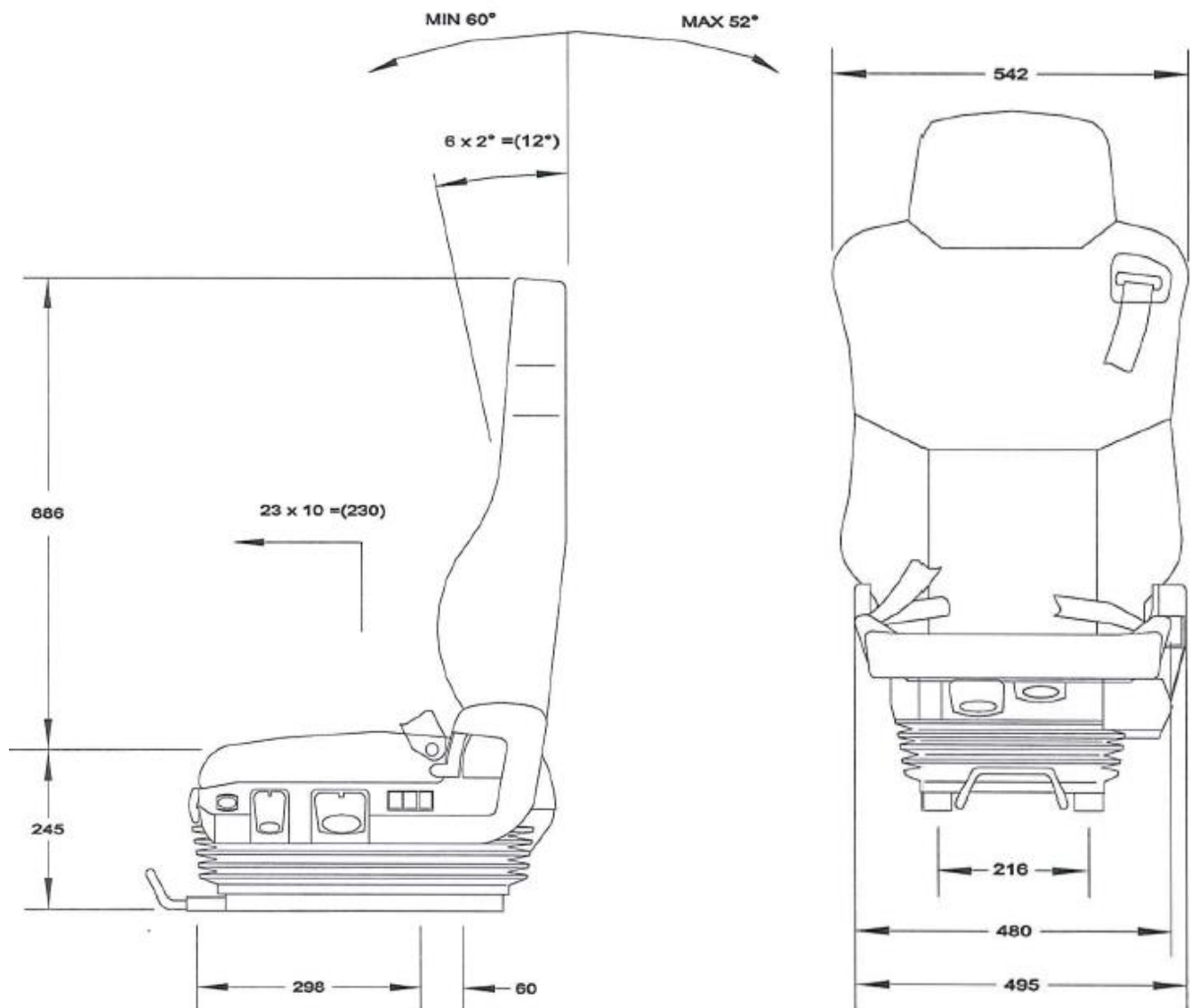
Accessories:

- Mounting boxes.
- Tether straps.
- Hardware and Air Fittings.
- Swivel



ISRI 6860/875 NTS AIR SUSPENSION SEAT

TECHNICAL DRAWING



Please Note: This technical drawing may not accurately depict the exact dimensions as some seat models are subject to change without notification.

ISRI 6860/875 PRO NTS AIR SUSPENSION SEAT DAF

DRIVERS SEAT



Experience the safety and comfort of the ISRI 6860/875 Pro NTS. Advanced design incorporating third generation suspension technology ensures maximum safety and comfort. Efficient operating weight range from 50 to 150kg, integrated 3-point seat belt, integrated head restraint, adjustable vertical shock absorber, integrated pneumatic system (IPS) dual stage air lumbar with lateral support and anatomically shaped cushion and backrest foams are just some of the standard features in the ISRI 6860/875 Pro NTS.

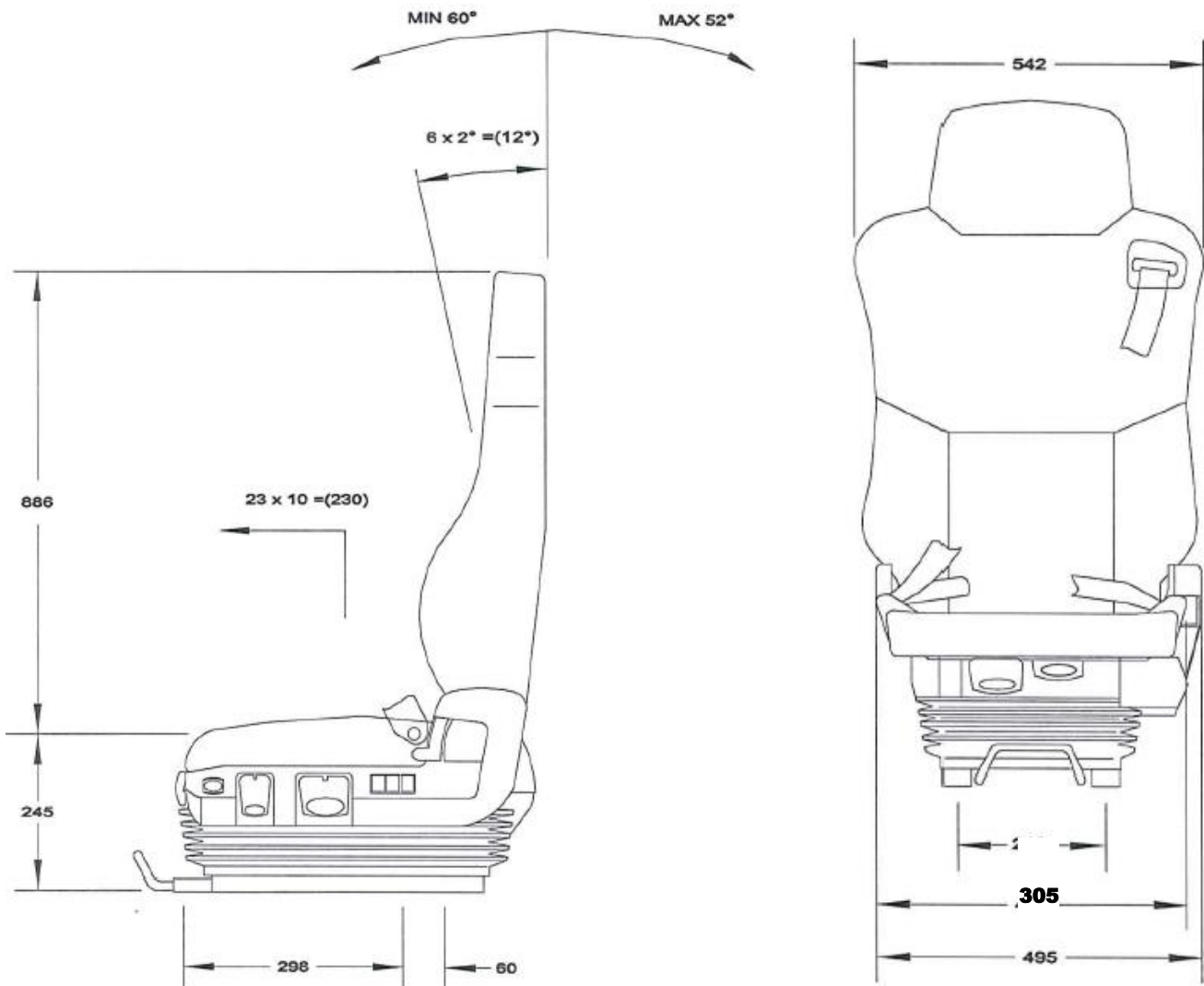
Features Include:

- Integrated 3-point seat belt system.
- Self leveling air suspension supports a weight range from 50 to 150Kg.
- Air Height Adjustment of 100mm.
- Adjustable vertical shock absorber.
- Horizontal isolator.
- Integrated pneumatic system (IPS) dual stage air lumbar with lateral support.
- Suspension quick release.
- Horizontal adjustment.
- Cushion tilt and length adjustment.
- High backrest with integrated headrest
- Backrest and shoulder adjustment.
- Adjustable sash guide.
- Available in right hand controls only.
- Trimmed in breathable charcoal cloth.
- **Accessories:**
- Hardware and Air Fittings.
- LH & RH Armrest
- Seat cover.



ISRI 6860/875 PRO NTS AIR SUSPENSION SEAT DAF

TECHNICAL DRAWING



Please Note: This technical drawing may not accurately depict the exact dimensions as some seat models are subject to change without notification.

ISRI 6860/875 PRO NTS AIR SUSPENSION SEAT FOR MERCEDES ACTROS

DRIVERS SEAT



Experience the safety and comfort of the ISRI 6860/875 Pro NTS. Advanced design incorporating third generation suspension technology ensures maximum safety and comfort. Efficient operating weight range from 50 to 150kg, integrated 3-point seat belt, integrated head restraint, adjustable vertical shock absorber, integrated pneumatic system (IPS) dual stage air lumbar with lateral support and anatomically shaped cushion and backrest foams are just some of the standard features in the ISRI 6860/875 Pro NTS.

Features Include:

- Integrated 3-point seat belt system.
- Self leveling air suspension supports a weight range from 50 to 150Kg.
- Air Height Adjustment of 100mm.
- Adjustable vertical shock absorber.
- Horizontal isolator.
- Integrated pneumatic system (IPS) dual stage air lumbar with lateral support.
- Suspension quick release.
- Horizontal adjustment of 230mm.
- Cushion tilt and length adjustment
- High backrest with integrated headrest
- Backrest and shoulder adjustment
- Available in right hand controls only.
- **Accessories:**
- Hardware and Air Fittings.
- LH Armrest



ISRI 6860/875 PRO NTS AIR SUSPENSION SEAT FOR MERCEDES ACTROS

TECHNICAL DRAWING



NOTE:

This seat can only be fitted into vehicles that have the same seat installed at OEM. Dimensions are available upon request.

Please Note: This technical drawing may not accurately depict the exact dimensions as some seat models are subject to change without notification.

ISRI 6860/875 PRO NTS AIR SUSPENSION SEAT FOR MERCEDES ATEGO

DRIVERS SEAT



Experience the safety and comfort of the ISRI 6860/875 Pro NTS. Advanced design incorporating third generation suspension technology ensures maximum safety and comfort. Efficient operating weight range from 50 to 150kg, integrated 3-point seat belt, integrated head restraint, adjustable vertical shock absorber, integrated pneumatic system (IPS) dual stage air lumbar with lateral support and anatomically shaped cushion and backrest foams are just some of the standard features in the ISRI 6860/875 Pro NTS.

Features Include:

- Integrated 3-point seat belt system.
- Self leveling air suspension supports a weight range from 50 to 150Kg.
- Air Height Adjustment of 100mm.
- Adjustable vertical shock absorber.
- Horizontal isolator.
- Integrated pneumatic system (IPS) dual stage air lumbar with lateral support.
- Suspension quick release.
- Horizontal adjustment of 230mm.
- Cushion tilt and length adjustment
- High backrest with integrated headrest
- Backrest and shoulder adjustment
- Available in right hand controls only.
- **Accessories:**
 - Hardware and Air Fittings.
 - Customised Bracket



ISRI 6860/875 PRO NTS AIR SUSPENSION SEAT FOR MERCEDES ATEGO

TECHNICAL DRAWING



NOTE:

This seat can only be fitted into vehicles that have the same seat installed at OEM. Dimensions are available upon request.

Please Note: This technical drawing may not accurately depict the exact dimensions as some seat models are subject to change without notification.

ISRI 6860/875 NTS AIR SUSPENSION SEAT FOR ISUZU TRUCKS

DRIVERS SEAT



Experience the safety and comfort of the ISRI 6860/875 NTS. Advanced design incorporating third generation suspension technology ensures maximum safety and comfort. Efficient operating weight range from 50 to 150kg, integrated 3-point seat belt with built in pre-tensioning contact switch, integrated head restraint, adjustable vertical shock absorber, integrated pneumatic system (IPS) dual stage air lumbar with lateral support and anatomically shaped cushion and backrest foams are just some of the standard features in the ISRI 6860/875 NTS.

Features Include:

- Integrated 3-point seat belt system with pre-tensioner and contact switch in buckle.
- Self leveling air suspension supports a weight range from 50 to 150Kg.
- Air Height Adjustment of 100mm.
- Adjustable vertical shock absorber.
- Integrated pneumatic system (IPS) dual stage air lumbar with lateral support.
- Suspension quick release.
- Horizontal adjustment.
- Cushion tilt adjustment.
- Cushion length adjustment.
- Backrest and shoulder adjustment

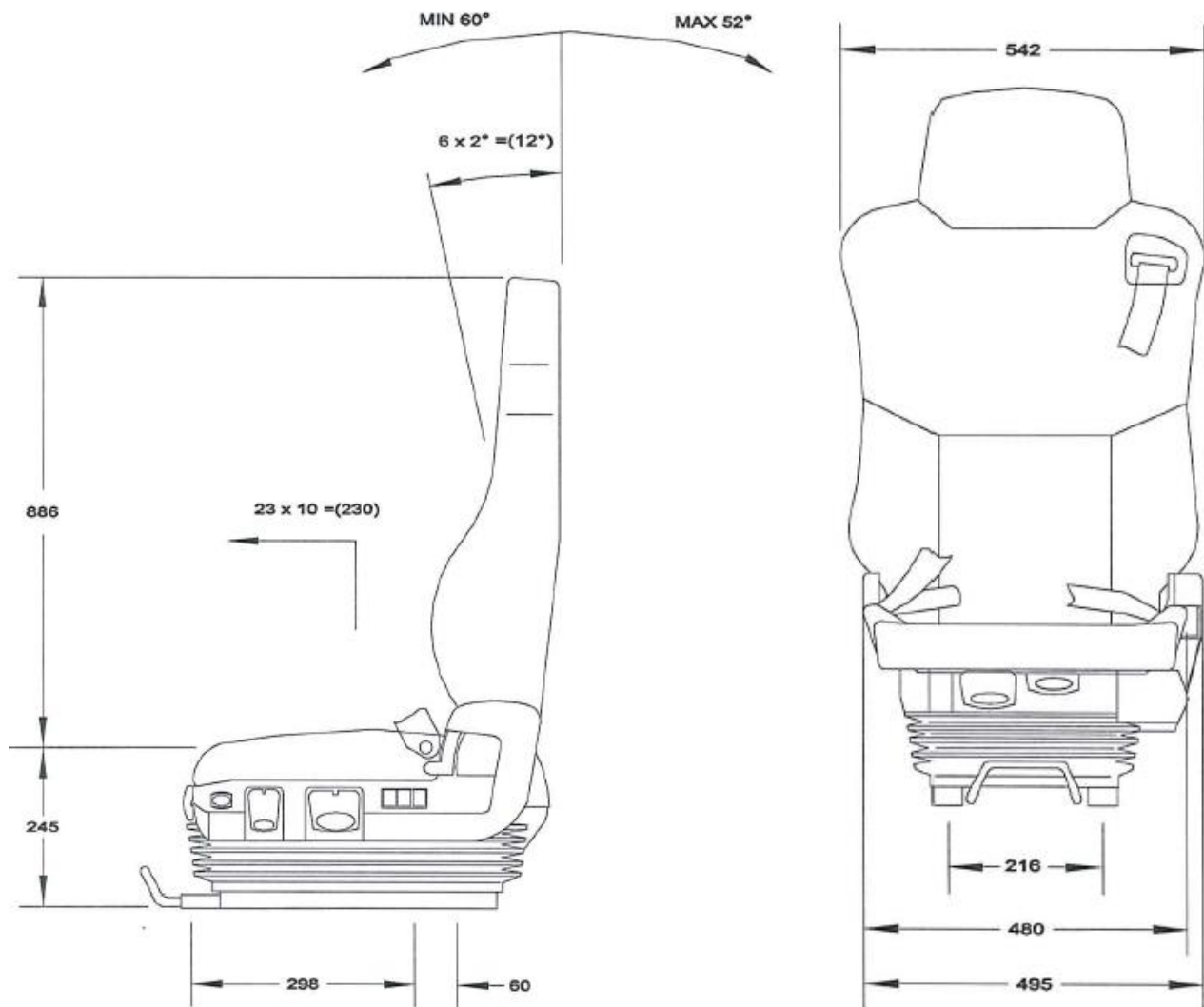
Accessories:

- Hardware and Air Fittings.
- LH & RH Armrest



ISRI 6860/875 NTS AIR SUSPENSION SEAT FOR ISUZU TRUCKS

TECHNICAL DRAWING



Please Note: This technical drawing may not accurately depict the exact dimensions as some seat models are subject to change without notification.

ISRI 6860/870 PRO NTS AIR SUSPENSION SEAT

DRIVERS SEAT



Experience the safety and comfort of the ISRI 6860/870 Pro NTS. Advanced design incorporating third generation suspension technology ensures maximum safety and comfort. Efficient operating weight range from 50 to 150kg, integrated 3-point seat belt, integrated head restraint, adjustable vertical shock absorber, integrated pneumatic system (IPS) dual stage air lumbar with lateral support and anatomically shaped cushion and backrest foams are just some of the standard features in the ISRI 6860/870 Pro NTS.

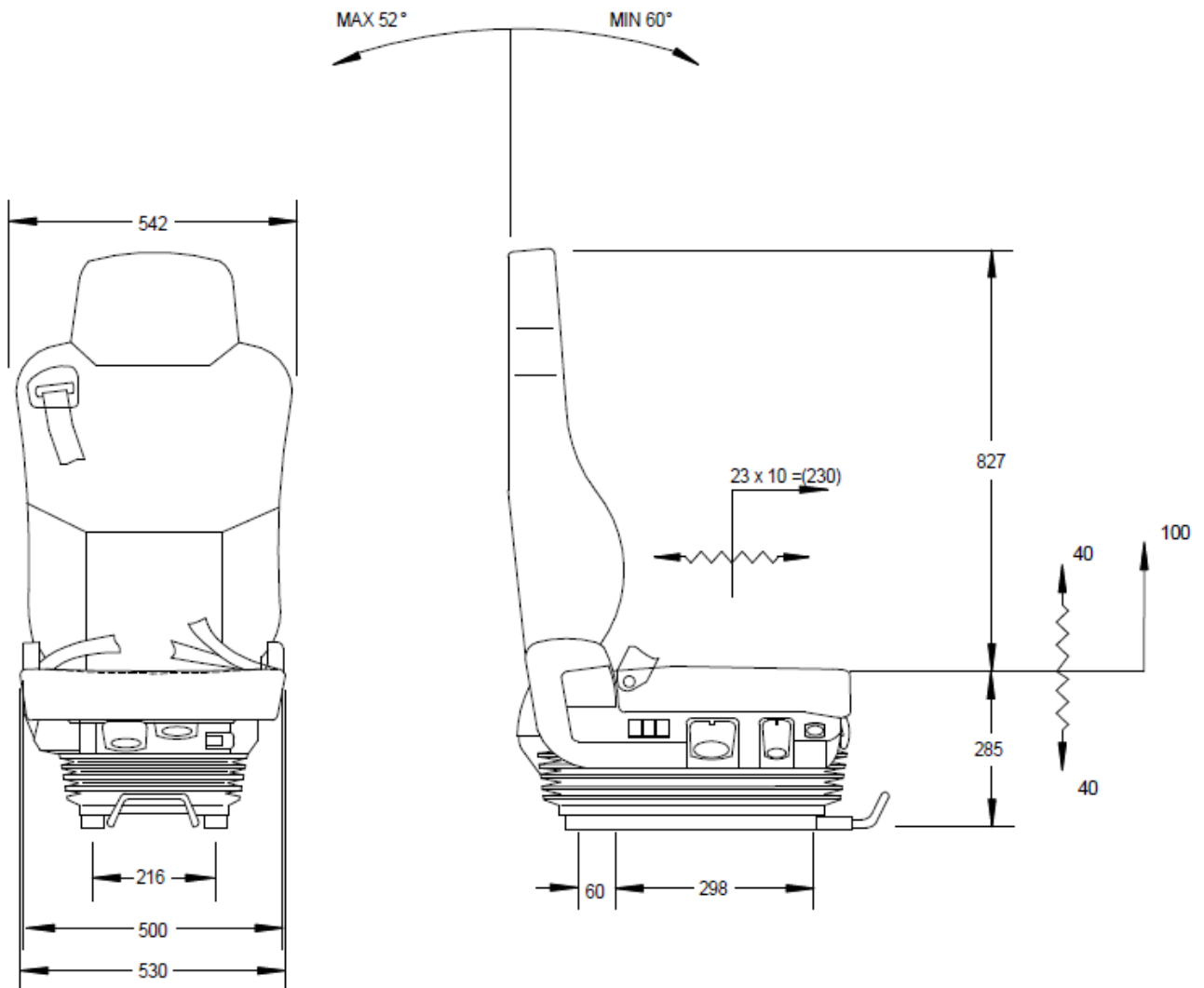
Features Include:

- Integrated 3-point seat belt system.
- Self leveling air suspension supports a weight range from 50 to 150Kg.
- Air Height Adjustment of 100mm.
- Adjustable vertical shock absorber.
- Horizontal isolator.
- Integrated pneumatic system (IPS) dual stage air lumbar with lateral support.
- Suspension quick release.
- Horizontal adjustment.
- Cushion tilt and length adjustment.
- High backrest with integrated headrest
- Backrest adjustment.
- Available in left and right hand controls.
- Trimmed in breathable charcoal cloth.
- **Accessories:**
 - Hardware and Air Fittings.
 - LH & RH Armrest
 - Mounting Boxes / Risers / Brackets



ISRI 6860/870 PRO NTS AIR SUSPENSION SEAT

TECHNICAL DRAWING



Please Note: This technical drawing may not accurately depict the exact dimensions as some seat models are subject to change without notification.



ISRI 6860/870 NTS AIR SUSPENSION SEAT

DRIVERS SEAT

Experience the safety and comfort of the ISRI 6860/870 NTS. Advanced design incorporating third generation suspension technology ensures maximum safety and comfort. Efficient operating weight range from 50 to 150kg, integrated 3-point seat belt, integrated head restraint, adjustable vertical shock absorber, integrated pneumatic system (IPS) dual stage air lumbar with lateral support and anatomically shaped cushion and backrest foams are just some of the standard features in the ISRI 6860/870 NTS.

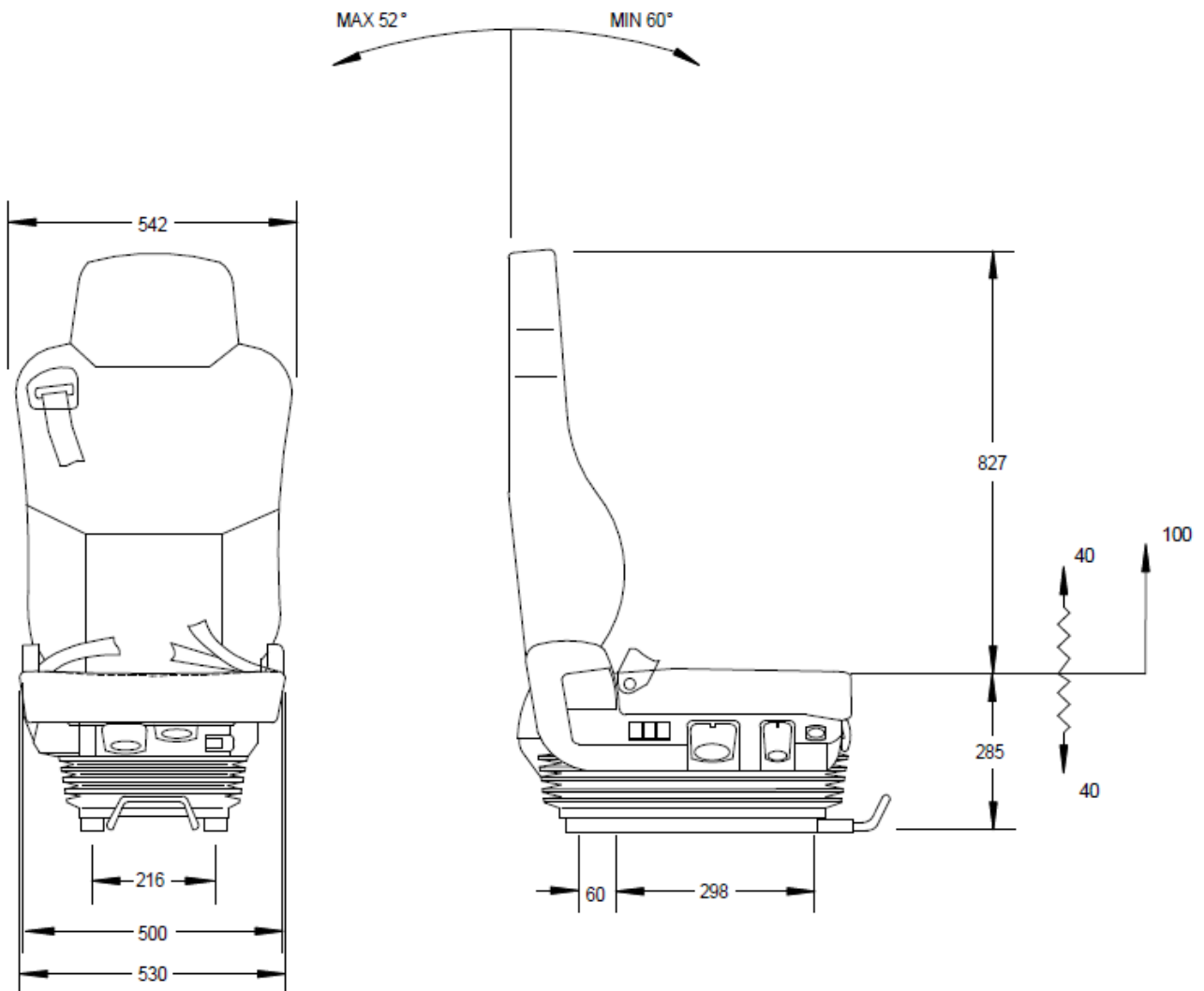
Features Include:

- Integrated 3-point seat belt system.
- Self leveling air suspension supports a weight range from 50 to 150Kg.
- Air Height Adjustment of 100mm.
- Adjustable vertical shock absorber.
- Integrated pneumatic system (IPS) dual stage air lumbar with lateral support.
- Suspension quick release.
- Horizontal adjustment.
- Cushion tilt and length adjustment.
- High backrest with integrated headrest
- Backrest adjustment.
- Available in left and right hand controls.
- Trimmed in breathable charcoal cloth.
- **Accessories:**
- Hardware and Air Fittings.
- LH & RH Armrest
- Mounting Boxes / Risers / Brackets



ISRI 6860/870 NTS AIR SUSPENSION SEAT

TECHNICAL DRAWING



Please Note: This technical drawing may not accurately depict the exact dimensions as some seat models are subject to change without notification.

ISRI 6860/870 NTS PRO NZ AIR SUSPENSION SEAT

DRIVERS SEAT



Experience the safety and comfort of the ISRI 6860-870 Pro NTS NZ Seat. Sourced especially for the New Zealand market and road conditions and rated 50kg to 150kg operating weight range this seat is a must for New Zealand operators. Integrated 3-point seat belt. Headrest. Adjustable shock absorber. Twin chamber pneumatic lumbar support and contoured squab and cushion foams are standard features of this model. Self-Levelling automatic air suspension. Adjustable shock absorber. Quick release suspension dump valve. Cushion tilt adjustment. Sliding cushion pan. High backrest. Trimmed in grey breathable textile. ISRI seats have been supporting drivers for over fifty years. ISRI 6860-870 Pro NTS NZ supporting you in safety & comfort.

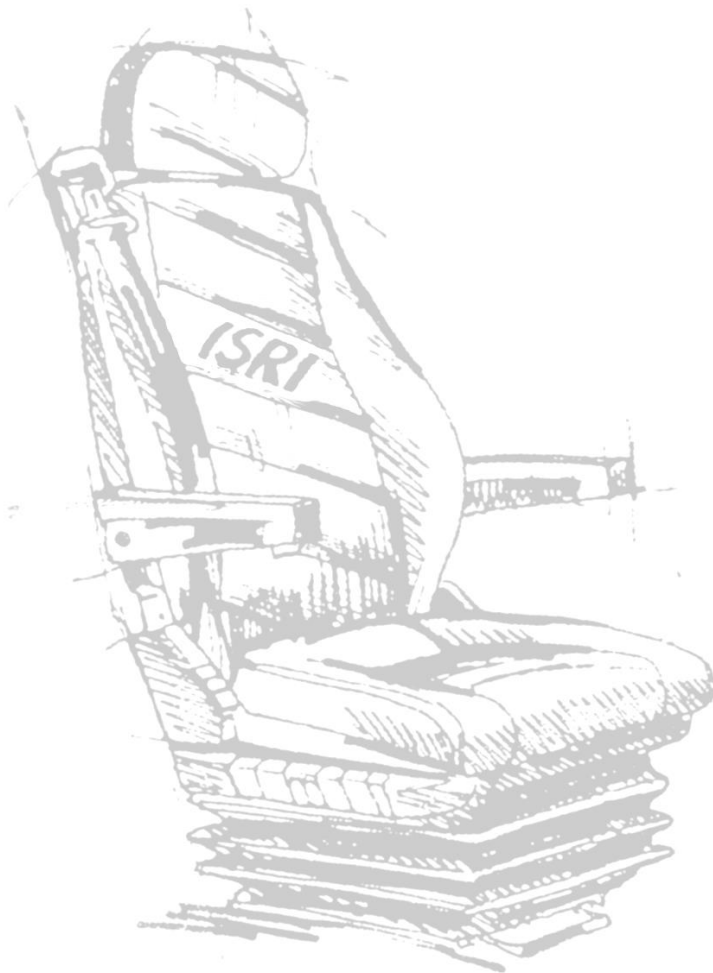
Features Include:

- Integrated 3-point seat belt system.
- Self leveling air suspension supports a weight range from 50 to 150Kg.
- Air Height Adjustment of 100mm.
- Adjustable vertical shock absorber.
- Horizontal isolator.
- Integrated pneumatic system (IPS) dual stage air lumbar with lateral support.
- Suspension quick release.
- Horizontal adjustment.
- Cushion tilt and length adjustment.
- High backrest with removable headrest
- Backrest adjustment.
- Available in left and right hand controls.
- Trimmed in breathable charcoal cloth.
- **Accessories:**
- Hardware and Air Fittings.
- LH & RH Armrest (optional – not included.)
- Mounting Boxes / Risers / Brackets



ISRI 6860/870 NTS PRO NZ AIR SUSPENSION SEAT

TECHNICAL DRAWING



NOTE:

**As the cushion foam
thickness may vary,
technical drawing
available upon
request.**

Please Note: This technical drawing may not accurately depict the exact dimensions as some seat models are subject to change without notification.

ISRI 6820/347 PRO AIR SUSPENSION SEAT MAN

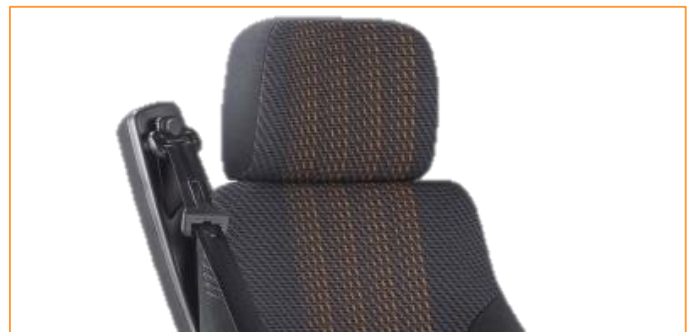
DRIVERS SEAT



Experience the safety and comfort of the ISRI 6820/347 Pro. Advanced design incorporating second generation suspension technology ensures maximum safety and comfort. Efficient operating weight range from 50 to 130Kg, integrated 3-point seat belt, head restraint, adjustable vertical shock absorber, integrated pneumatic system (IPS) dual stage air lumbar with lateral support and anatomically shaped cushion and backrest foams are just some of the standard features in the ISRI 6820/347 Pro. Matches to MAN hole centers to ensure certified fit.

Features Include:

- Integrated 3-point seat belt system.
- Self-levelling air suspension supports a weight range from 50 to 130kg.
- Air height adjustment of 100mm.
- Adjustable vertical shock absorber.
- Integrated Pneumatic System (IPS) dual stage lumbar with lateral support.
- Suspension quick release.
- Horizontal adjustment 165mm.
- Tilt adjustment.
- Seat cushion adjustment
- High backrest with head restraint.
- Backrest adjustment.
- Available in right hand controls only.
- Trimmed in breathable Grey/Yellow cloth.
- **Accessories:**
- Hardware and Air Fittings.



ISRI 6820/347 PRO AIR SUSPENSION SEAT MAN

TECHNICAL DRAWING



NOTE:

This seat can only be fitted into vehicles that have the same seat installed at OEM. Dimensions are available upon request.

Please Note: This technical drawing may not accurately depict the exact dimensions as some seat models are subject to change without notification.

ISRI 6800/337 AIR SUSPENSION SEAT DRIVERS SEAT



Experience the safety and comfort of the ISRI 6800/337. Advanced design incorporating second generation suspension technology ensures maximum safety and comfort. Effective operator weight range from 50 to 130kg, integrated 3-point seat belt, head restraint, adjustable vertical shock absorber, integrated pneumatic system (IPS) dual stage air lumbar with lateral support and anatomically shaped cushion and backrest foams are just some of the standard features in the ISRI 6800/337.

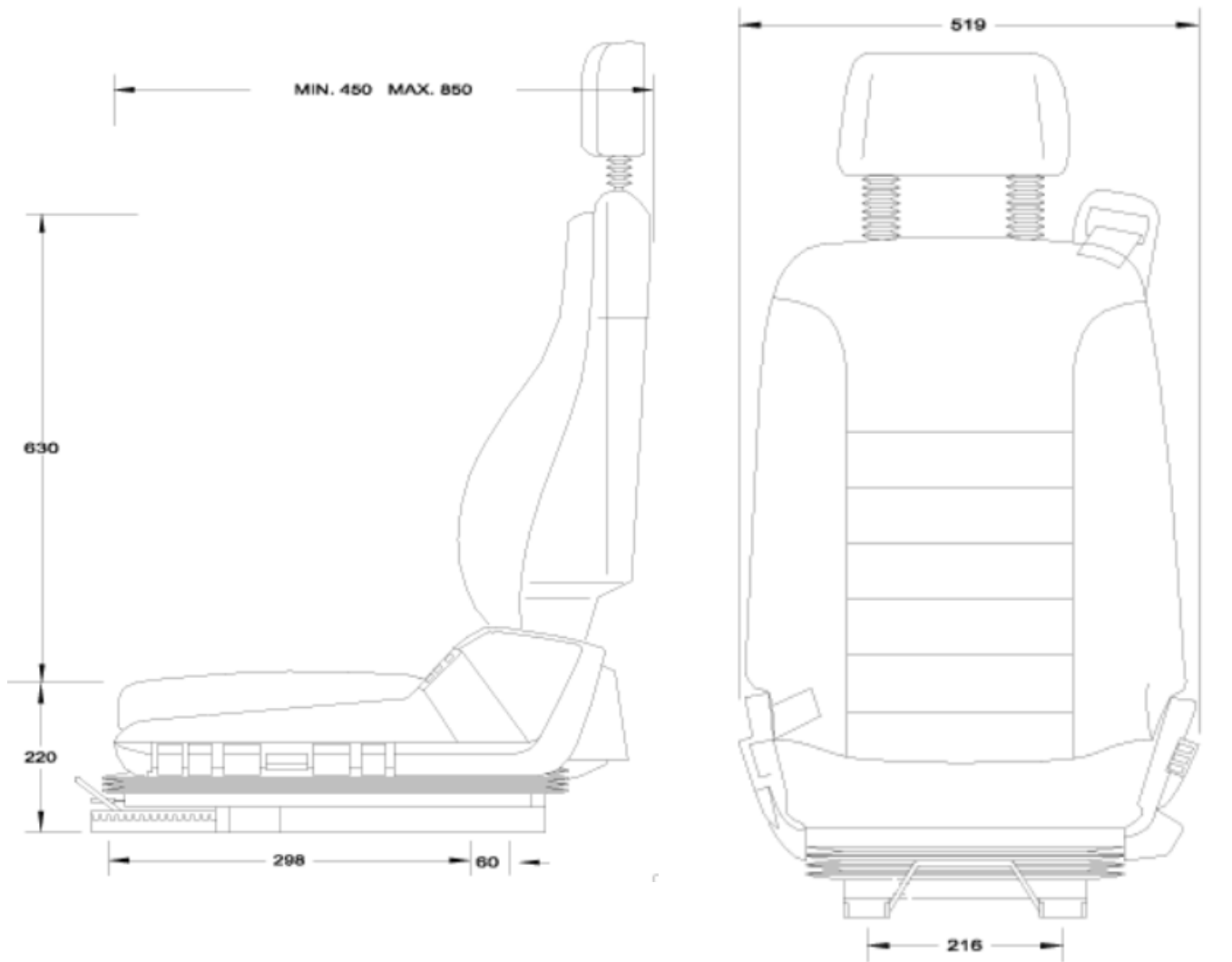
Features Include:

- Integrated 3-point seat belt system.
- Self-levelling air suspension supports a weight range from 50 to 130kg.
- Air height adjustment of 100mm.
- Adjustable vertical shock absorber.
- Integrated Pneumatic System (IPS) dual stage lumbar with lateral support.
- Suspension quick release.
- Horizontal adjustment 200mm.
- Tilt adjustment.
- Seat cushion & backrest adjustment.
- High backrest with head restraint.
- Available in left- and right-hand controls.
- Trimmed in breathable Grey/Yellow cloth.
- **Accessories:**
- Hardware and Air Fittings.
- Armrests
- Mounting Boxes / Risers / Brackets



ISRI 6800/337 AIR SUSPENSION SEAT

TECHNICAL DRAWING



Please Note: This technical drawing may not accurately depict the exact dimensions as some seat models are subject to change without notification.

ISRI 6860/880 NTS AIR SUSPENSION SEAT

DRIVERS SEAT

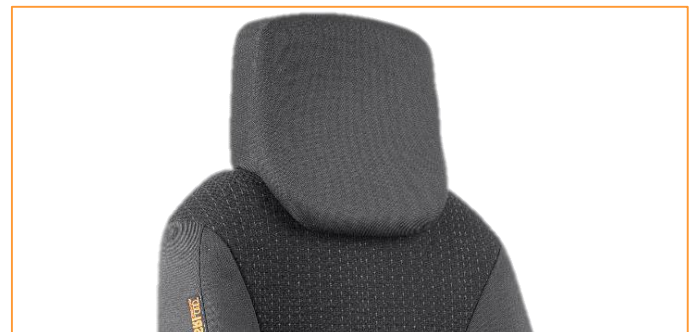


Experience the safety and comfort of the ISRI 6860/880 NTS. Advanced design incorporating third generation suspension technology ensures maximum safety and comfort. Efficient operating weight range from 50 to 150kg, adjustable vertical shock absorber, integrated pneumatic system (IPS) dualstage air lumbar with lateral support and anatomically shaped cushion and backrest foams are just some of the standard features in the ISRI 6860/880 NTS.

(Seatbelt not included.)

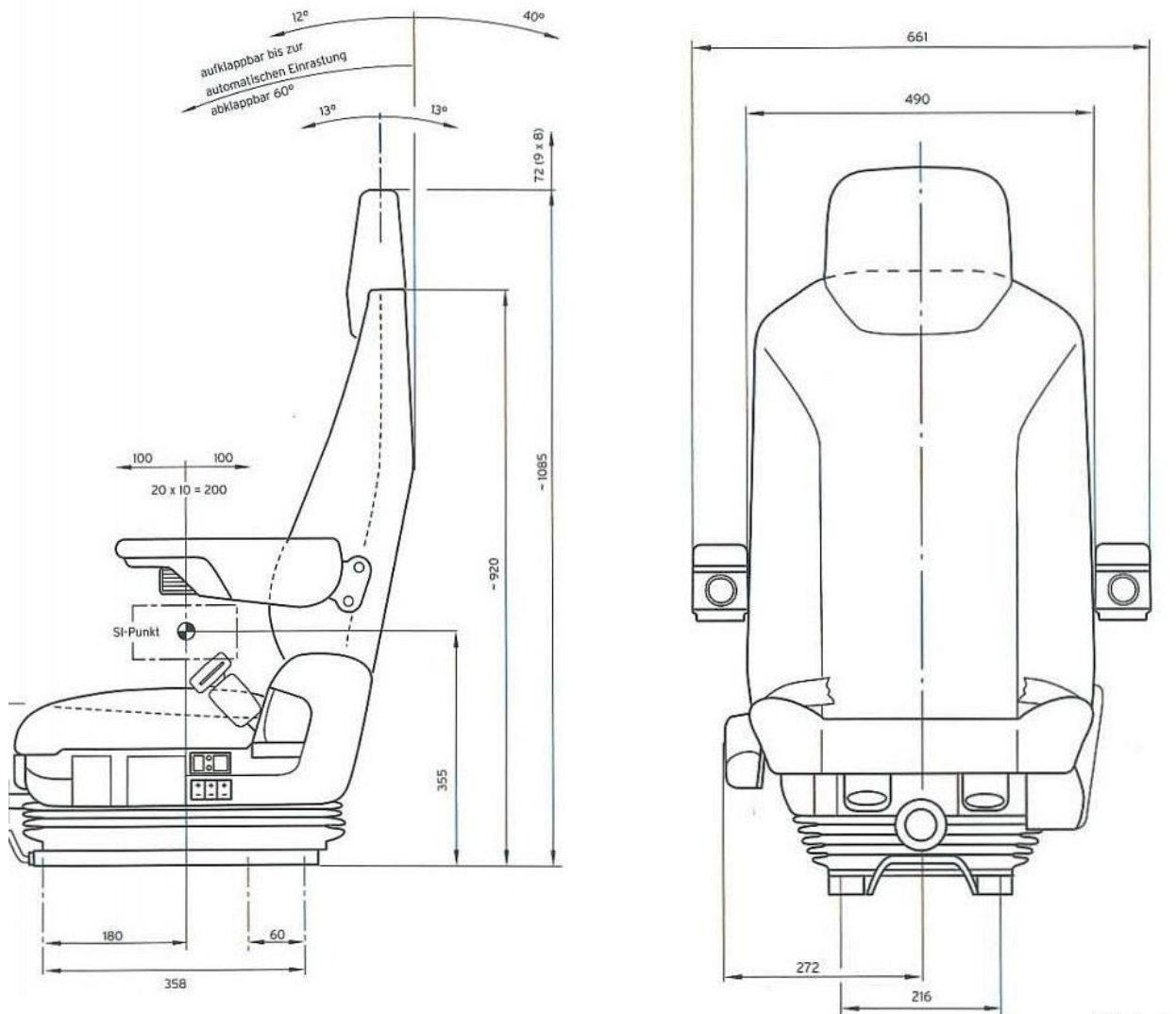
Features Include:

- Self-levelling air suspension supports a weight range from 50 to 150Kg.
- Air height adjustment of 100mm.
- Adjustable vertical shock absorber.
- Dual stage air lumbar support.
- Suspension quick release.
- Horizontal adjustment of 230mm.
- Cushion tilt adjustment.
- Cushion length adjustment.
- High backrest.
- Backrest adjustment.
- Available in left- and right-hand controls.
- Trimmed in breathable charcoal cloth.
- **Accessories:**
- Hardware and Air Fittings.
- Armrests & Headrest (optional not incl.)
- Mounting Boxes / Risers / Brackets



ISRI 6860/880 NTS AIR SUSPENSION SEAT

TECHNICAL DRAWING



Please Note: This technical drawing may not accurately depict the exact dimensions as some seat models are subject to change without notification.

ISRI 6500/517 PRO AIR SUSPENSION SEAT DRIVERS SEAT



Experience the safety and comfort of the ISRI 6500/517 Pro. The self-leveling air suspension with high backrest, integrated pneumatic system (IPS) dual stage air lumbar with lateral support and anatomically shaped cushion and backrest foams are just some of the standard features in the ISRI 6500/517 Pro.

Features Include:

- Self-levelling air suspension supports a weight range from 50 to 130Kg.
- Mechanical height adjustment of 65mm.
- Horizontal Isolator.
- Integrated pneumatic system (IPS) dual stage air lumbar with lateral support.
- Horizontal adjustment of 180mm.
- High backrest.
- Backrest adjustment.
- Two seat belt fixing points.
- Available in right hand controls only.
- Trimmed in breathable grey/yellow cloth.
- **Accessories:**
 - Hardware and Air Fittings.
 - Armrests & Headrest (optional not incl.)
 - Mounting Boxes / Risers / Brackets
 - Lapbelt & tether straps



ISRI 6500/517 AIR SUSPENSION SEAT

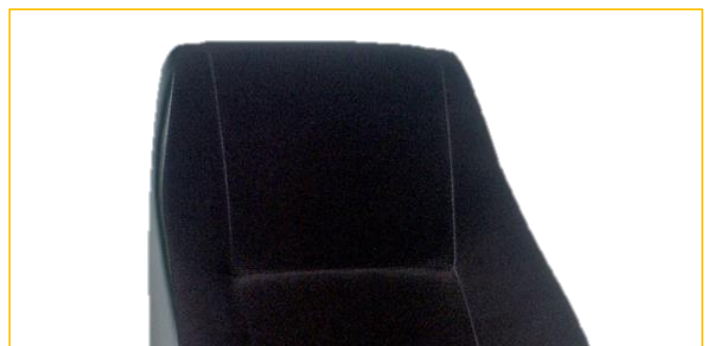
DRIVERS SEAT



Experience the safety and comfort of the ISRI 6500/517. The self-leveling air suspension with high backrest, dual stage air lumbar support and anatomically shaped seat cushion and backrest foams are just some of the standard features in the ISRI 6500/517.

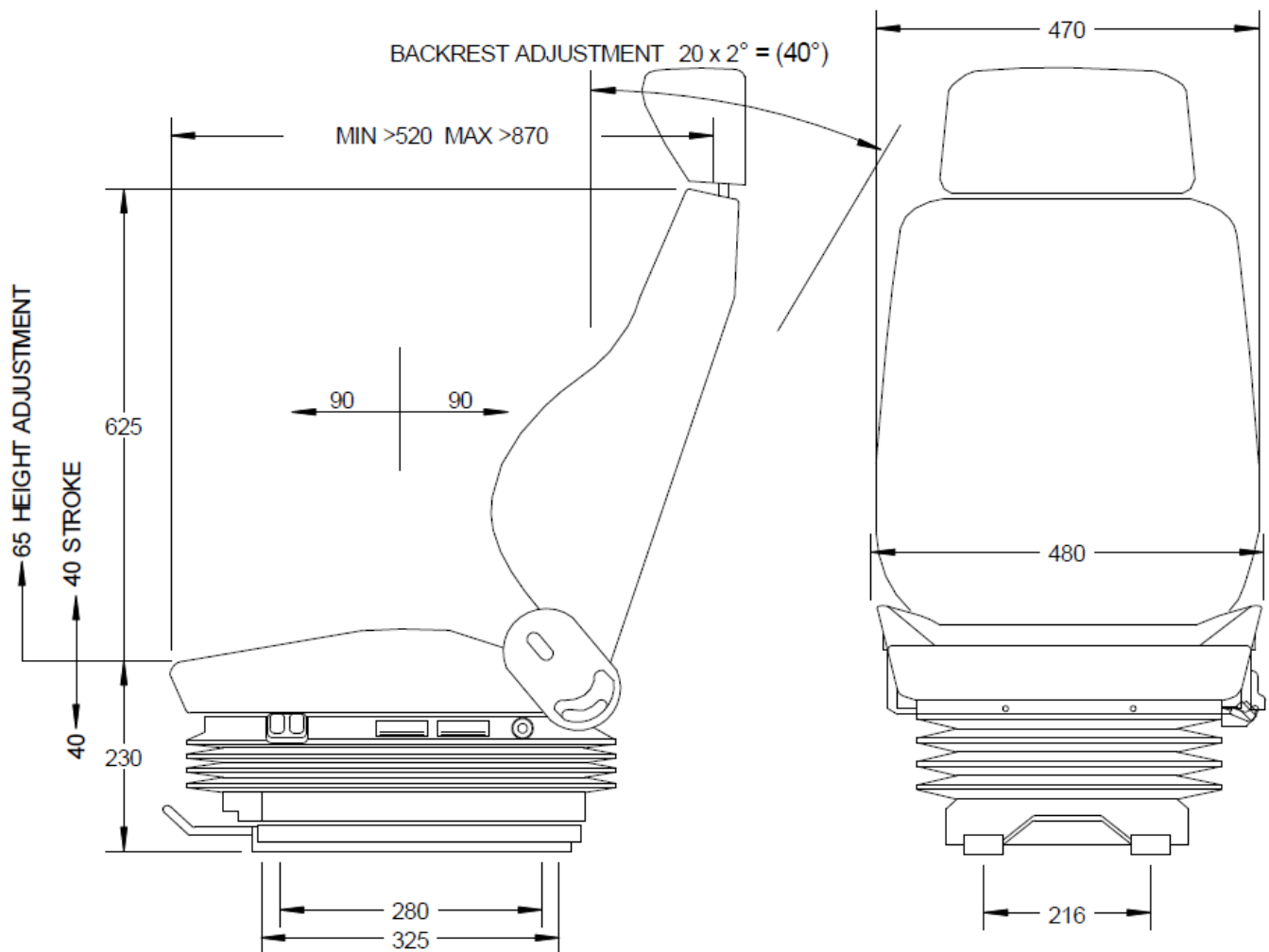
Features Include:

- Self leveling air suspension supports a weight range from 50 to 130Kg.
- Mechanical height adjustment of 65mm.
- Dual stage air lumbar support.
- Horizontal adjustment of 180mm.
- High backrest.
- Backrest adjustment.
- Two seat belt fixing points.
- Available in left and right hand controls.
- Trimmed in breathable black cloth.
- **Accessories:**
- Hardware and Air Fittings.
- Armrests & Headrest (optional not incl.)
- Mounting Boxes / Risers / Brackets
- Lapbelt & tether straps



ISRI 6500/517 AIR SUSPENSION SEAT

TECHNICAL DRAWING



Please Note: This technical drawing may not accurately depict the exact dimensions as some seat models are subject to change without notification.

ISRI 6030/880 MECHANICAL SUSPENSION SEAT DRIVERS SEAT



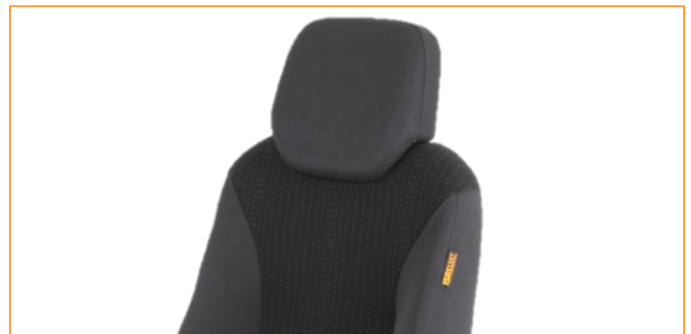
Experience the safety and comfort of the ISRI 6030/880. The mechanical suspension, high backrest and anatomically shaped cushion and backrest foams are just some of the standard features in the ISRI 6030/880.

Features Include:

- Mechanical suspension supports a weight range from 50 to 130Kg.
- Mechanical height adjustment.
- Mechanical lumbar support.
- Horizontal adjustment of 230mm.
- High backrest
- Backrest adjustment.
- Two seat belt fixing points.
- Trimmed in breathable charcoal cloth.

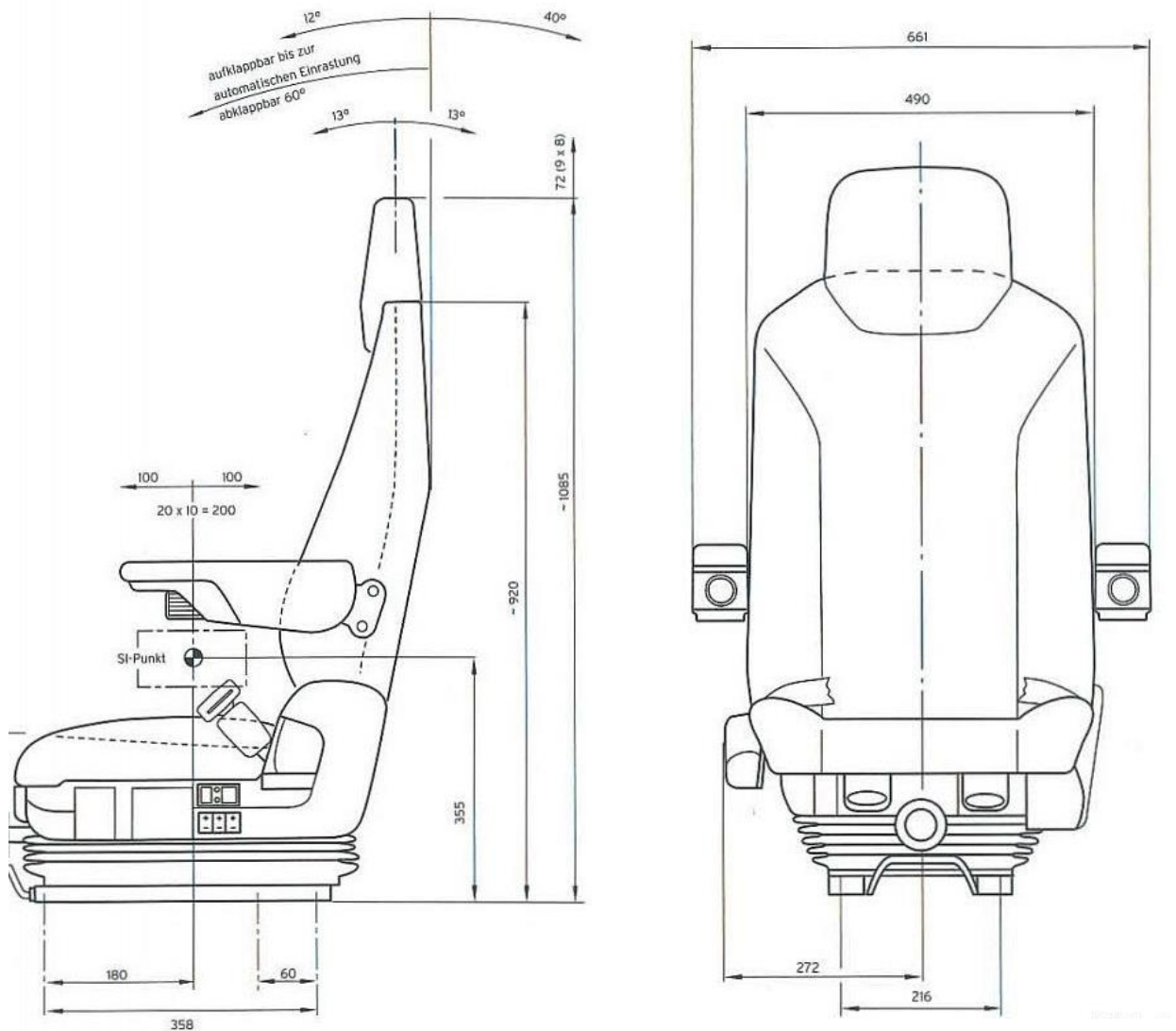
Accessories:

- Head restraint.
- Mounting boxes
- Retractable lap seat belt 2".
- Retractable lap seat belt 2" with contact switch.
- Armrests.
- Hardware.



ISRI 6030/880 MECHANICAL SUSPENSION SEAT

TECHNICAL DRAWING



Please Note: This technical drawing may not accurately depict the exact dimensions as some seat models are subject to change without notification.

ISRI 6000/517 MECHANICAL SUSPENSION SEAT

DRIVERS SEAT



Experience the safety and comfort of the ISRI 6000/517. The mechanical suspension, high backrest, mechanical lumbar support, anatomically shaped seat cushion and backrest foams are just some of the standard features in the ISRI 6000/517.

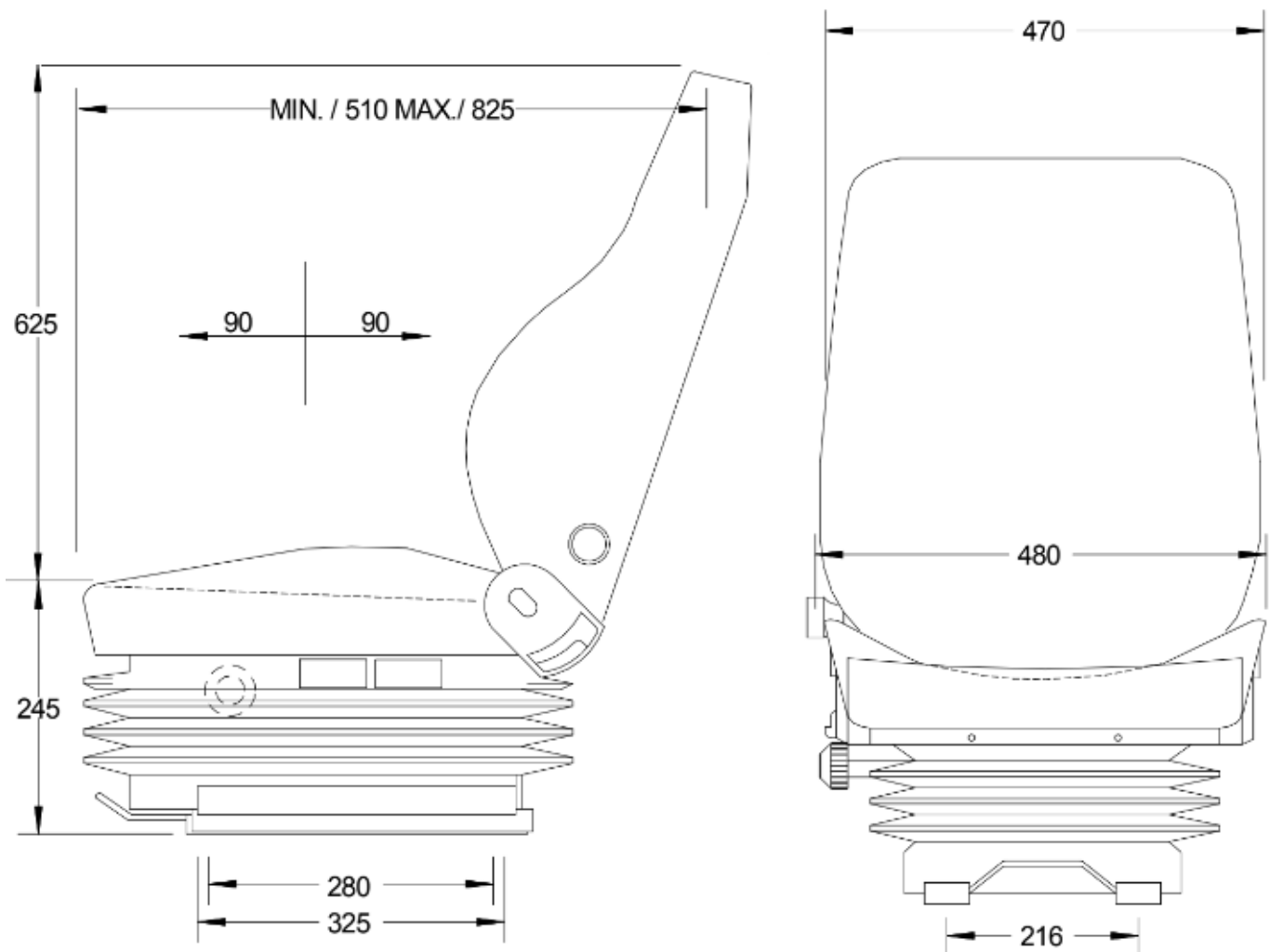
Features Include:

- Mechanical suspension supports a weight range from 50 to 130Kg.
- Mechanical height adjustment of 65mm.
- Mechanical lumbar support.
- Horizontal adjustment of 180mm.
- High backrest.
- Backrest adjustment.
- Two seat belt fixing points.
- Available in left and right hand controls.
- Trimmed in breathable Grey/Yellow Cloth.
- **Accessories:**
 - Hardware and Air Fittings.
 - Armrests & Headrest
 - Mounting Boxes / Risers / Brackets
 - Lapbelt & tether straps



ISRI 6000/517 MECHANICAL SUSPENSION SEAT

TECHNICAL DRAWING



Please Note: This technical drawing may not accurately depict the exact dimensions as some seat models are subject to change without notification.

ISRI 6000/515 MECHANICAL SUSPENSION SEAT

DRIVERS SEAT



Experience the safety and comfort of the ISRI 6000/515. The mechanical suspension, standard backrest, mechanical lumbar support, anatomically shaped seat cushion and backrest foams are just some of the standard features in the ISRI 6000/515.

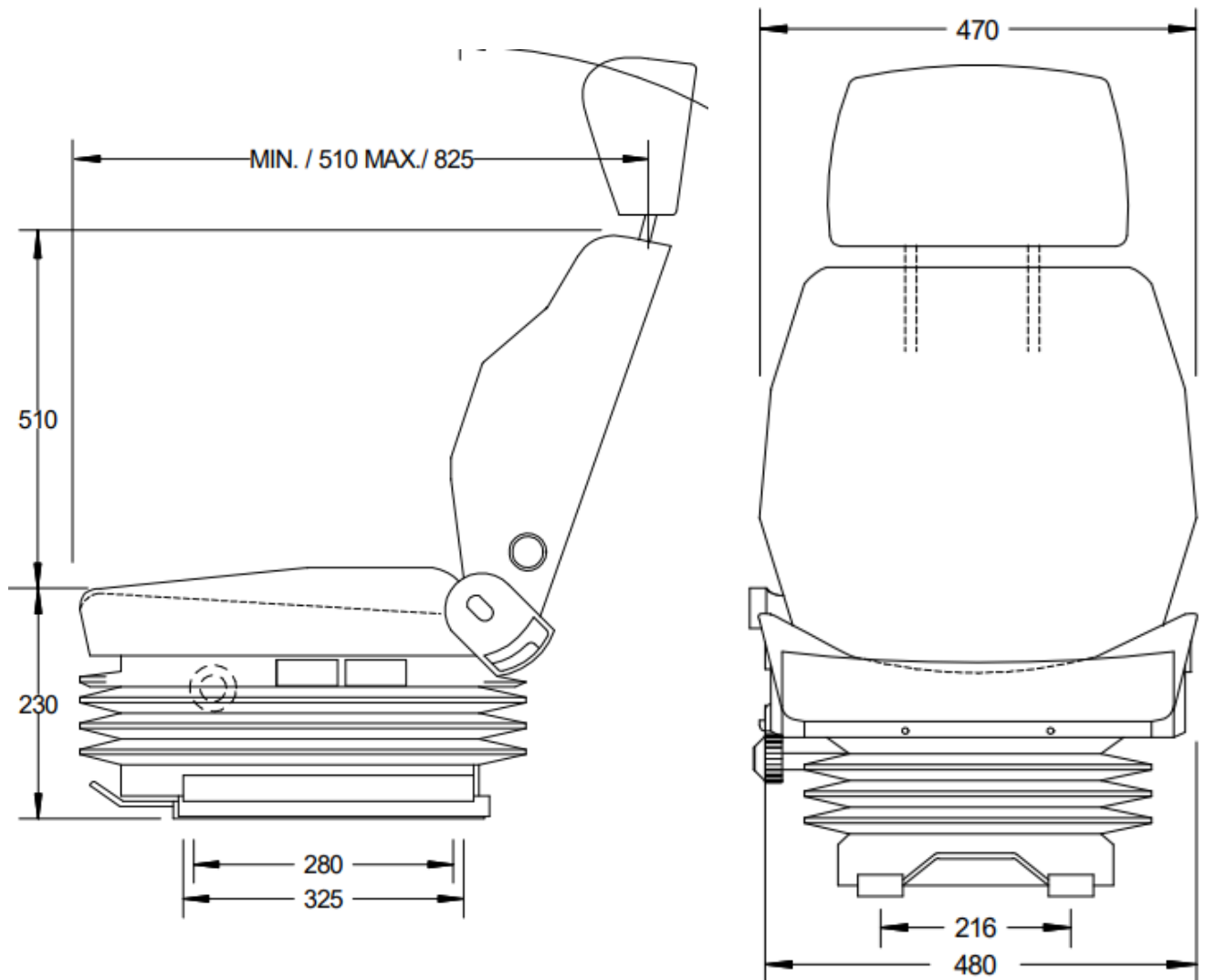
Features Include:

- Mechanical suspension supports a weight range from 50 to 130Kg.
- Mechanical height adjustment of 65mm.
- Mechanical lumbar support.
- Horizontal adjustment of 180mm.
- Standard backrest.
- Backrest adjustment.
- Two seat belt fixing points.
- Available in left and right hand controls.
- Trimmed in breathable black cloth.
- **Accessories:**
 - Hardware and Air Fittings.
 - Armrests & Headrest
 - Mounting Boxes / Risers / Brackets / Swivel
 - Lapbelt & tether straps



ISRI 6000/515 MECHANICAL SUSPENSION SEAT

TECHNICAL DRAWING



Please Note: This technical drawing may not accurately depict the exact dimensions as some seat models are subject to change without notification.

ISRI 6000/348 MECHANICAL SUSPENSION SEAT DRIVERS SEAT



Experience the safety and comfort of the ISRI 6000/348. The mechanical suspension with high backrest, mechanical lumbar support, anatomically shaped seat cushion and backrest foams are just some of the standard features in the ISRI 6000/348.

Features Include:

- Mechanical suspension supports a weight range from 50 to 130Kg.
- Mechanical height adjustment of 100mm.
- Mechanical lumbar support.
- Horizontal adjustment of 180mm.
- High backrest.
- Backrest adjustment.
- Heater
- Two seat belt fixing points.
- Available in left hand control only.
- Trimmed in breathable Grey/Yellow Cloth.
- 2" lap seatbelt certified to ISO 6683.

Accessories:

- Headrest
- Armrests.
- Hardware.



ISRI 6000/348 MECHANICAL SUSPENSION SEAT

TECHNICAL DRAWING



NOTE:

**As the cushion foam
thickness may vary,
technical drawing
available upon
request.**

Please Note: This technical drawing may not accurately depict the exact dimensions as some seat models are subject to change without notification.

ISRI 6000/345 MECHANICAL SUSPENSION SEAT DRIVERS SEAT



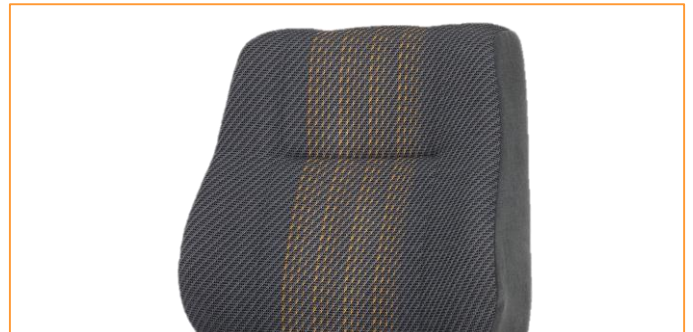
Experience the safety and comfort of the ISRI 6000/345. The mechanical suspension with standard backrest, mechanical lumbar support, anatomically shaped seat cushion and backrest foams are just some of the standard features in the ISRI 6000/345.

Features Include:

- Mechanical suspension supports a weight range from 50 to 130Kg.
- Mechanical height adjustment of 100mm.
- Mechanical lumbar support.
- Horizontal adjustment of 180mm.
- Standard backrest.
- Backrest adjustment.
- Heater
- Two seat belt fixing points.
- Available in left hand control only.
- Trimmed in breathable Grey/Yellow Cloth.
- 2" Lap Seat Belt Certified to ISO 6683.

Accessories:

- Headrest
- Armrests.
- Hardware.



ISRI 6000/345 MECHANICAL SUSPENSION SEAT

TECHNICAL DRAWING



NOTE:

As the cushion foam thickness may vary, technical drawing available upon request.

Please Note: This technical drawing may not accurately depict the exact dimensions as some seat models are subject to change without notification.

ISRI 6000/577 MECHANICAL SUSPENSION SEAT DRIVERS SEAT



Experience the safety and comfort of the ISRI 6000/577. The mechanical suspension with high backrest, anatomically shaped seat cushion and backrest foams are just some of the standard features in the ISRI 6000/577.

Features Include:

- Mechanical suspension supports a weight range from 50 to 130Kg.
- Mechanical height adjustment of 65mm.
- Horizontal adjustment of 180mm.
- High backrest.
- Backrest adjustment.
- Two seat belt fixing points.
- Available in front control only.
- Trimmed in breathable Grey/Yellow Cloth.

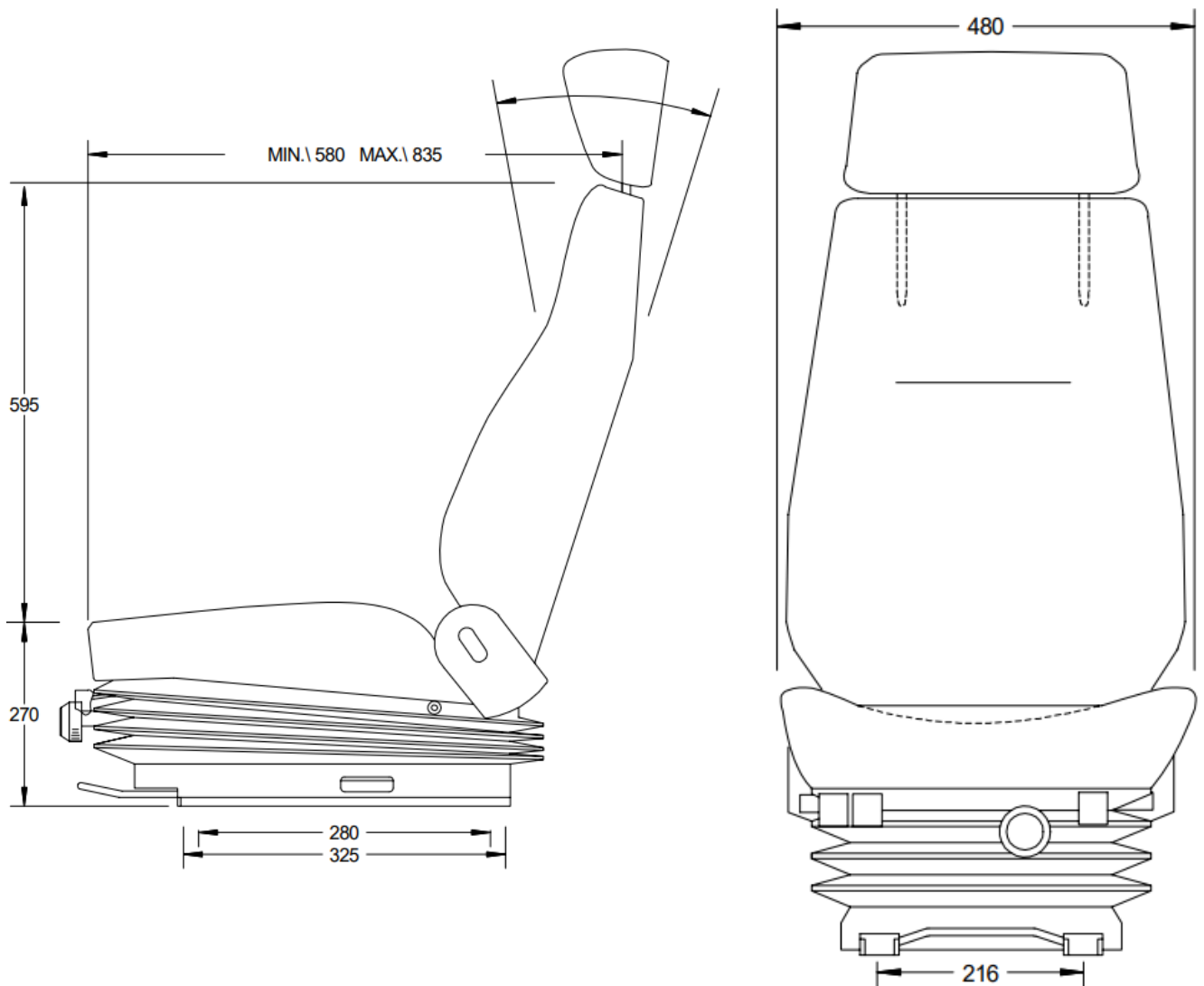
Accessories:

- Headrest.
- Mounting boxes.
- Lap Seat Belt 2" and 3".
- Tether straps.
- Armrests.
- Hardware.



ISRI 6000/577 MECHANICAL SUSPENSION SEAT

TECHNICAL DRAWING



Please Note: This technical drawing may not accurately depict the exact dimensions as some seat models are subject to change without notification.

ISRI 6830KA/880 NTS 24V COMPRESSOR SEAT

DRIVERS SEAT



Experience the safety and comfort of the ISRI 6830KA/880 NTS. The air suspension with built-in compressor, high backrest, IPS air lumbar support, anatomically shaped cushion and backrest foams are just some of the standard features in the ISRI 6830KA/880 NTS.

Features Include:

- Self leveling air suspension supports a weight range from 50 to 150kg.
- Built in 24 volt compressor.
- Integrated Pneumatic System (IPS) dual stage pneumatic lumbar with lateral support.
- Height adjustment.
- Adjustable vertical shock absorber.
- Horizontal isolator.
- Horizontal adjustment of 230mm.
- Cushion tilt and length adjustment
- High backrest.
- Backrest adjustment.
- Two seat belt fixing points.
- Trimmed in breathable charcoal cloth.

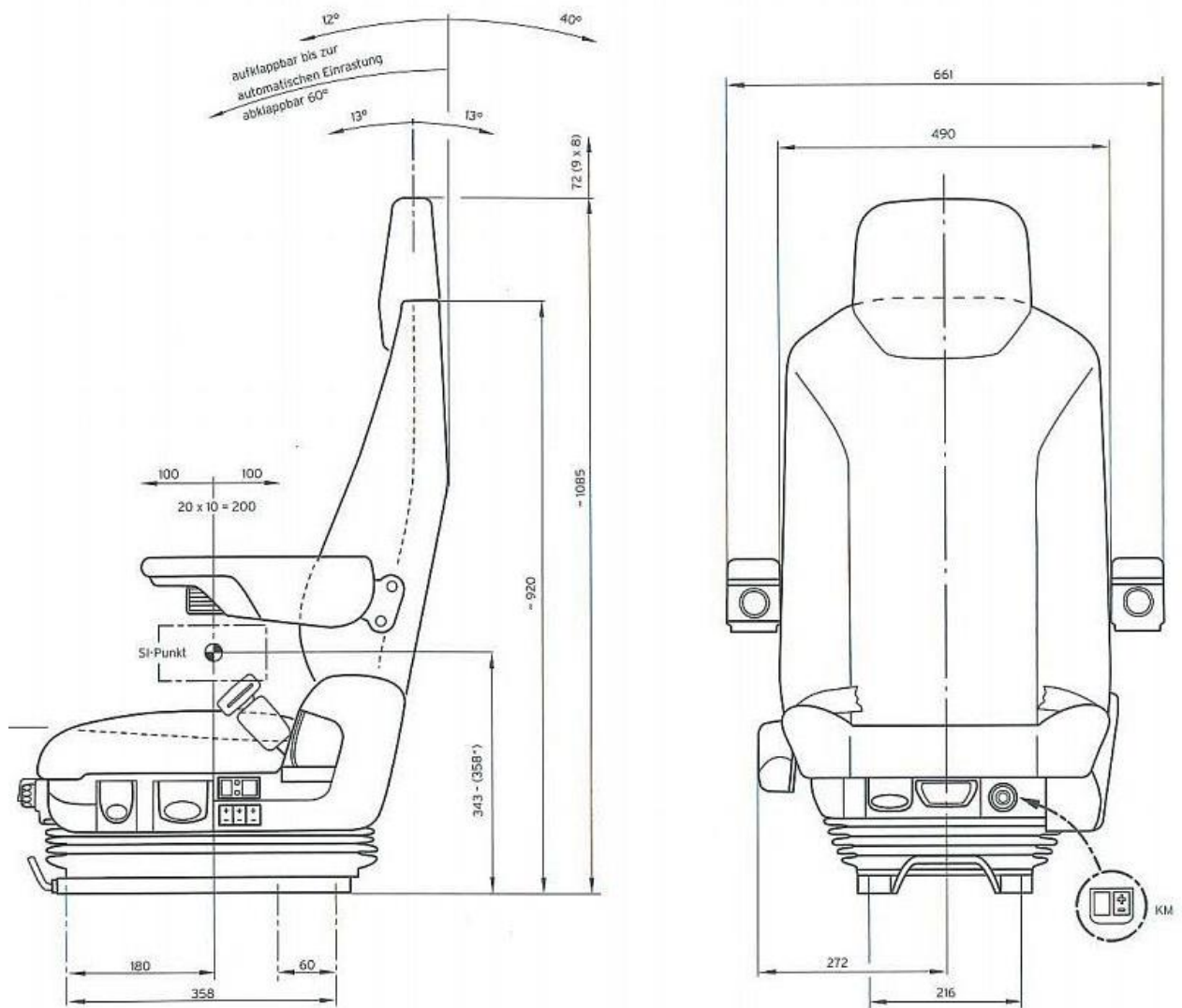
Accessories:

- Mounting boxes.
- Lap seat belt 2" with or without contact switch
- Armrests / headrest / hardware



ISRI 6830KA/880 NTS 24V COMPRESSOR SEAT

TECHNICAL DRAWING



Please Note: This technical drawing may not accurately depict the exact dimensions as some seat models are subject to change without notification.

ISRI 6830KM/880 NTS 24V COMPRESSOR SEAT

DRIVERS SEAT



Experience the safety and comfort of the ISRI 6830KM/880 NTS. The air suspension with built-in compressor, high backrest, dual stage air lumbar support, anatomically shaped cushion and backrest foams are just some of the standard features in the ISRI 6830KM/880 NTS.

Features Include:

- Self levelling air suspension supports a weight range from 50 to 150kg.
- Built in 24-volt compressor or optional 12 volt.
- Dual stage air lumbar support.
- Adjustable vertical shock absorber.
- Horizontal adjustment of 230mm.
- Cushion tilt adjustment.
- Cushion length adjustment.
- High backrest.
- Backrest adjustment.
- Available in left hand controls only.
- Two seat belt fixing points.
- Trimmed in breathable charcoal cloth

Accessories:

- Mounting boxes.
- Lap seat belt 2" with or without contact switch
- Seat cushion with contact switch, 24 volt only.
- Armrests.
- Hardware.



ISRI 6830KM/875 NTS 24V COMPRESSOR SEAT

DRIVERS SEAT



Experience the safety and comfort of the ISRI 6830KM/875 NTS. Advanced design incorporating third generation suspension technology ensures maximum safety and comfort. Efficient operating weight range from 50 to 150kg, integrated 3-point seat belt, adjustable vertical shock absorber, integrated pneumatic system (IPS) dual stage air lumbar with lateral support and ergonomically shaped cushion and backrest foams are just some of the standard features in the ISRI 6830KM/875 NTS.

Features Include:

- Self levelling air suspension supports a weight range from 50 to 150kg.
- Shoulder & Backrest Adjustment
- Height Adjustable
- 3-Point Integrated Seat belt with Buckle Sensor
- Horizontal Isolator
- Seat Cushion Adjustment
- Slide Adjustment
- Seat Tilt Adjust
- Integrated Pneumatic System (IPS)
- Dual stage lumbar with lateral support.
- Shock Absorber Adjustment
- Seat Height Adjust
- **Accessories:**
- Armrests
- Hi Visibility Seat Belt



ISRI 6830KM/875 NTS 24V COMPRESSOR SEAT

TECHNICAL DRAWING



NOTE:

As the cushion foam thickness may vary, technical drawing available upon request.

Please Note: This technical drawing may not accurately depict the exact dimensions as some seat models are subject to change without notification.

ISRI 6830KM/870 NTS 24V COMPRESSOR SEAT

DRIVERS SEAT



Experience the safety and comfort of the ISRI 6830KM/870 NTS. Advanced design incorporating third generation suspension technology ensures maximum safety and comfort. Efficient operating weight range from 50 to 150kg, integrated 3-point seat belt, adjustable vertical shock absorber, integrated pneumatic system (IPS) dual stage lumbar with lateral support and ergonomically shaped cushion and backrest foams are just some of the standard features in the ISRI 6830KM/870 NTS.

Features Include:

- Integrated 3-point seat belt system.
- Air suspension supports a weight range from 50 to 150kg.
- Built in 24 volt compressor.
- Adjustable vertical shock absorber.
- Integrated pneumatic system (IPS) dual stage air lumbar with lateral support.
- Horizontal adjustment of 230mm.
- Tilt adjustment.
- Cushion length adjustment.
- High backrest with head restraint.
- Backrest adjustment.
- Heater.
- Trimmed in breathable charcoal cloth.
- **Accessories:**
- Armrests
- Hi Visibility Seat Belt



ISRI 6830KM/870 NTS 24V COMPRESSOR SEAT

TECHNICAL DRAWING



NOTE:

As the cushion foam thickness may vary, technical drawing available upon request.

Please Note: This technical drawing may not accurately depict the exact dimensions as some seat models are subject to change without notification.

ISRI 6500KM/577 24V COMPRESSOR SEAT DRIVERS SEAT



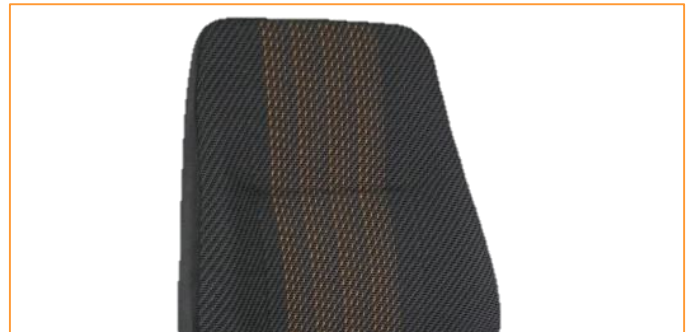
Experience the safety and comfort of the ISRI 6500KM/577. The air suspension with built-in compressor, high backrest, dual stage pneumatic lumbar support and anatomically shaped cushion and backrest foams are just some of the standard features in the ISRI 6500KM/577. ISRI seats supporting drivers for more than fifty years. ISRI 6500KM/577 supporting you in safety and comfort.

Features Include:

- Air suspension with in-built compressor supports a weight capacity 50 to 130kg.
- Mechanical height adjustment of 65mm.
- Dual stage air lumbar support.
- Horizontal adjustment of 180mm.
- High backrest
- Backrest adjustment.
- Two seat belt fixing points.
- Trimmed in breathable grey/yellow cloth.

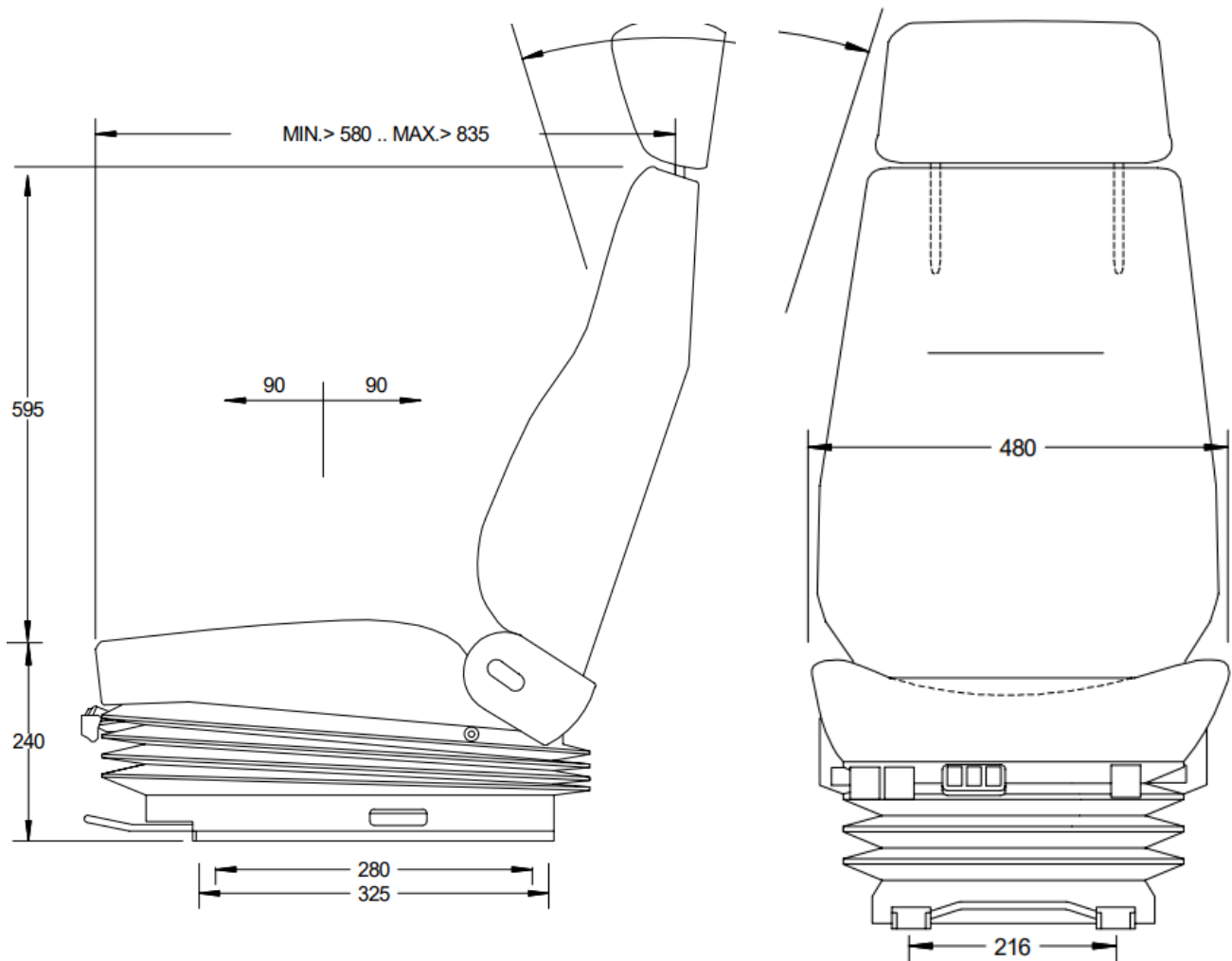
Accessories:

- Head restraint.
- Mounting boxes
- Lap seat belts 2" and 3"
- Tether straps.
- Armrests.
- Hardware.



ISRI 6500KM/577 24V COMPRESSOR SEAT

TECHNICAL DRAWING



Please Note: This technical drawing may not accurately depict the exact dimensions as some seat models are subject to change without notification.

ISRI 6500KM/348 24V COMPRESSOR SEAT DRIVERS SEAT



Experience the safety and comfort of the ISRI 6500KM/348. The air suspension with built-in compressor, standard backrest, dual stage pneumatic lumbar support, anatomically shaped cushion and backrest foams are just some of the standard features in the ISRI 6500KM/348.

Features Include:

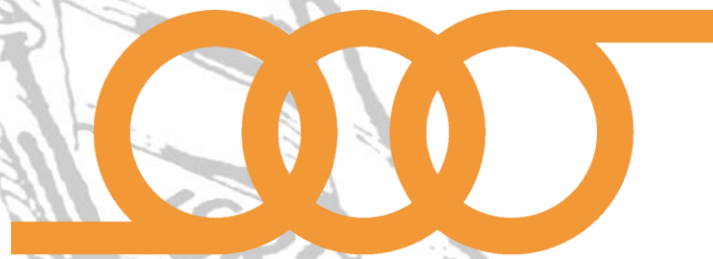
- Air suspension supports a weight range from 50 to 130kg.
- Built-in 24-volt compressor.
- Mechanical height adjustment of 65mm.
- Dual stage air lumbar support.
- Horizontal adjustment of 160mm.
- High backrest
- Backrest adjustment.
- Two seat belt fixing points.
- 2" Lap seatbelt certified to ISO 6683.
- Trimmed in breathable grey/yellow cloth.

Accessories:

- Head restraint.
- Armrests.
- Hardware.



GEEMAC



ISRINGHAUSEN

ISRI®

**DRIVERS SEAT IDENTIFICATION
DOCUMENT**

GEEMAC

Office: + 64 9 630 1856

Mobile: +64 21 577 542

Sales: sales@geemac.co.nz

www.geemac.co.nz | www.isringhausen.co.nz

Isringhausen seats are separated into two groups:

Uniquely OEM Seats:

- These are seats that are both cosmetically and structurally unique to an OEM or Vehicle Manufacturer.

Cosmetic OEM and Aftermarket:

- Cosmetic OEM and Aftermarket seats are the same seats structurally. The cosmetic OEM seats may have different trim colours compared to the Aftermarket.

Knowing the make, model and year of the truck is always useful in identifying the seat as not all seats will fit into all vehicles. If you know the vehicles details you are usually able to reduce the number of possible seats that could be fitted down to 1-2 options.

The other information that is important in identifying seats in vehicles is –

- Air or mechanical suspension.
- Is the seatbelt integrated or on pillar.
- Colour of controls on the seat.
- Is headrest integrated or removable.
- How many buttons does lumbar have.



ISRI 6500/517

Identification Characteristics:

- Air suspension seat.
- Seatbelt is not built into the backrest.
- Trimmed in black cloth (aftermarket).
- Trimmed in yellow/grey cloth (aftermarket/Isuzu).
- Two button lumbar support.
- Two lever height adjustment.
- One lever backrest adjustment.
- Total number of controls on side of seat = 5.
- The headrest is removable from the seat.



ISRI 6500/517 PRO

Identification Characteristics:

- Air suspension seat with isolator.
- Seatbelt is not built into the backrest.
- Trimmed in red/grey or yellow/grey cloth.
- Three button lumbar support.
- Two lever height adjustment.
- One lever backrest adjustment.
- Total number of controls on side of seat = 6.
- The headrest is removable from the seat.



ISRINGHAUSEN SEAT IDENTIFICATION GUIDE

WHAT ISRI SEAT DO YOU HAVE?

ISRI 6800/337

Identification Characteristics:

- Air suspension seat.
- Seatbelt is into the backrest.
- Trimmed in yellow/grey cloth (aftermarket/Isuzu).
- Trimmed in red/grey cloth (Mack).
- All controls yellow with one red one.
- Six controls down side of the seat + three button lumbar.
- Headrest is separate part to backrest.
- Suspension does not have isolator lever next to slide handle.



ISRI 6800/337 PRO

Identification Characteristics:

- Air suspension seat with isolator.
- Seatbelt is into the backrest
- Trimmed in yellow/grey cloth (aftermarket/Isuzu).
- Trimmed in red/grey cloth (Mack).
- All controls yellow with one red one.
- Six controls down side of the seat + three button lumbar.
- Headrest is separate part to backrest.
- Suspension has isolator lever next to slide handle.



ISOLATOR



ISRINGHAUSEN SEAT IDENTIFICATION GUIDE

WHAT ISRI SEAT DO YOU HAVE?

ISRI 6860/870

Identification Characteristics:

- Air suspension seat.
- Seatbelt comes out of backrest trim.
- Trimmed in charcoal cloth.
- All controls are light grey.
- Four controls down side of seat + three button lumbar.
- Two controls at front + slide handle.
- Headrest is integrated into the backrest.
- Same as Pro version, however does not have fore & aft isolator.



SEE LAST PAGE FOR FURTHER IDENTIFICATION TOOLS ON THE 6860 RANGE.

ISRI 6860/870 PRO

Identification Characteristics:

- Air suspension seat with isolator.
- Seatbelt comes out of backrest trim.
- Trimmed in charcoal cloth.
- Kenworth & Western Star OEM are trimmed in various colours.
- All controls are light grey.
- Four controls down side of seat + three button lumbar.
- Three controls at front + slide handle.
- Headrest is integrated into the backrest.



ISOLATOR



ISRINGHAUSEN SEAT IDENTIFICATION GUIDE

WHAT ISRI SEAT DO YOU HAVE?

ISRI 6860/875

Identification Characteristics:

- Air suspension seat.
- Seatbelt comes out of backrest trim.
- Trimmed in charcoal cloth.
- All controls are light grey.
- Five controls down side of seat + three button lumbar.
- Two controls at front + slide handle.
- Headrest is integrated into the backrest.
- Backrest and shoulder adjustment.



NOTE:
875 HAS L-SHAPED
HANDLE, 870 HAS
STANDARD HANDLE.

ISRI 6860/875 PRO

Identification Characteristics:

- Air suspension seat with isolator.
- Seatbelt comes out of backrest trim.
- Trimmed in charcoal cloth.
- All controls are light grey.
- Five controls down side of seat + three button lumbar.
- Three controls at front + slide handle.
- Headrest is integrated into the backrest.
- Backrest and shoulder adjustment.



**ADJUSTABLE
SASH GUIDE**



ISOLATOR



ISRINGHAUSEN SEAT IDENTIFICATION GUIDE

WHAT ISRI SEAT DO YOU HAVE?

6860 RANGE CUSHION FOAM:

The ISRI 6860/870 and 6860/875 (pro and standard forms) also come with three different cushion foam thicknesses. The thickness of the cushion foam is based on the Make & Model of the vehicle the seat is fitted to.



THIN FOAM

Commonly Found

Aftermarket

Hino



MEDIUM FOAM

Commonly Found

Aftermarket



THICK FOAM

Commonly Found

Aftermarket

Freightliner

Kenworth

Mack

Western Star



NOTE:

6860/875 (Std & Pro) has an L-shaped adjustment handle as it includes shoulder adjustment. The 6860/870 (Std & Pro) does not have this feature.

GEEMAC

Office: + 64 9 630 1856

Mobile: +64 21 577 542

Sales: sales@geemac.co.nz

www.geemac.co.nz | www.isringhausen.co.nz



Office: + 64 9 630 1856

Mobile: +64 21 577 542

Sales: sales@geemac.co.nz

www.geemac.co.nz | www.isringhausen.co.nz