

DRIVERS SEAT CATALOGUE



Seats.co.nz
Truck Bus Train Forklift



Seats.co.nz
Truck Bus Train Forklift

Office: + 64 9 630 2179

Mobile: +64 21 577 542

Sales: sales@seats.co.nz

www.seats.co.nz

SEATS NZ INTEGRATED SEATBELT AIR SUSPENSION SEAT

DRIVERS SEAT

A safe and comfortable air suspension seat for your vehicle. Integrated 3-point seat belt, removable headrest, self-levelling air suspension and anatomically shaped cushion and backrest foams are just some of the standard features in the SNZASSF-3PT.



Features Include:

- Three Point Integrated Seat Belt
- Supports a weight range from 50kg - 130kg.
- Mechanical height adjustment of 65mm.
- Horizontal adjustment of 180mm.
- High backrest.
- Backrest adjustment.
- Lock out lever (locks suspension when off highway)
- Available in left & right hand controls.

Accessories:

- Mounting boxes.
- Armrests
- Swivels

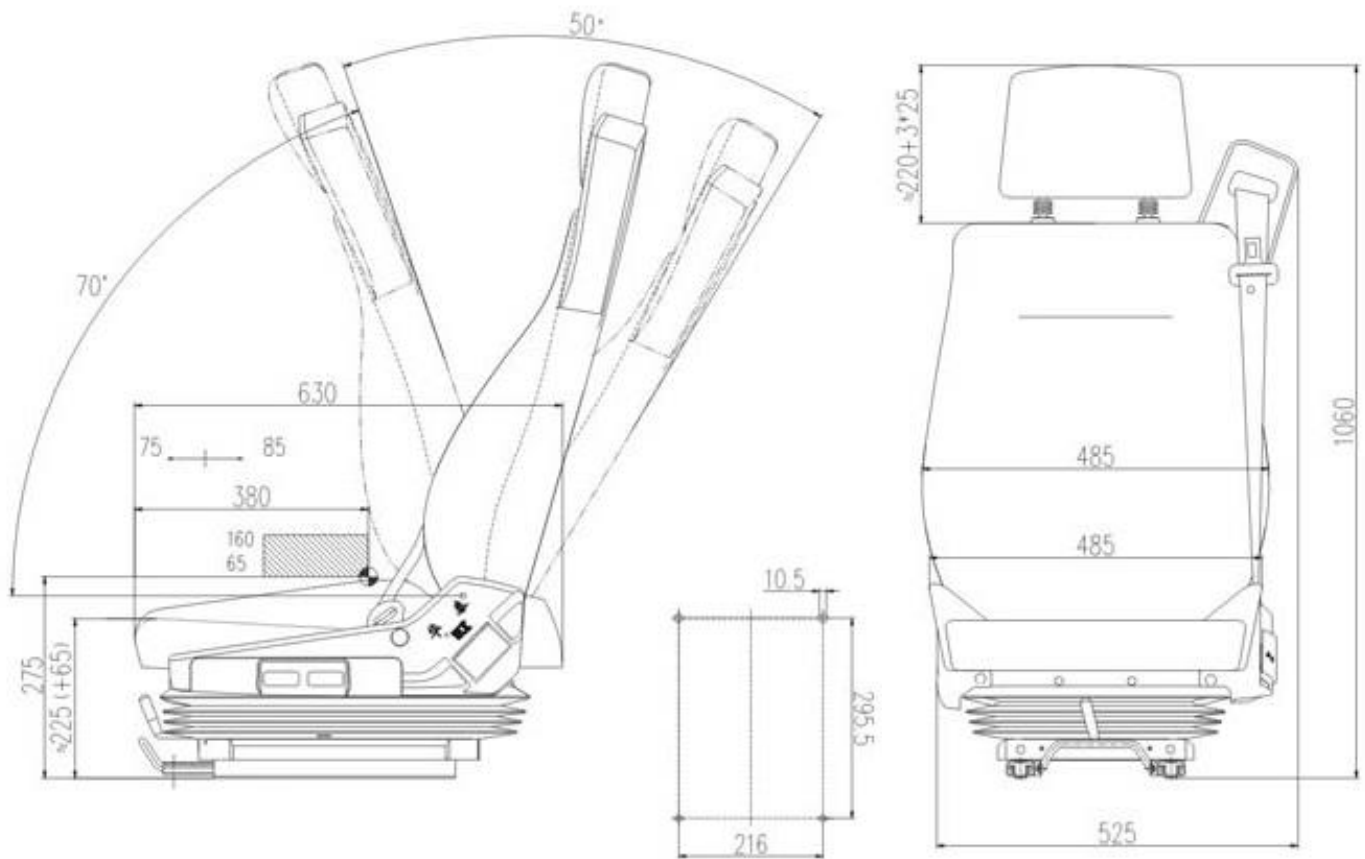


SEATS NZ

INTEGRATED SEATBELT

AIR SUSPENSION SEAT

TECHNICAL DRAWING



Please Note: This technical drawing may not accurately depict the exact dimensions as some seat models are subject to change without notification.

SEATS NZ FABRIC AIR SUSPENSION SEAT

DRIVERS SEAT



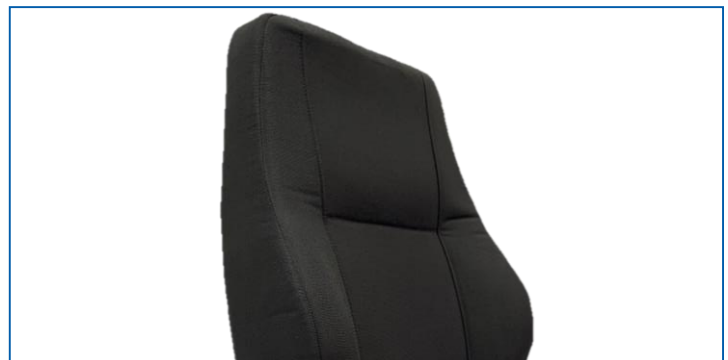
A safe and comfortable suspension seat for your vehicle. This self-leveling air suspension seat comes with a high backrest, twin chamber air lumbar support, fabric upholstery and many other features.

Features Include:

- Supports a weight range 50kg - 130kg.
- Mechanical height adjustment of 65mm.
- Twin chamber air lumbar support.
- Horizontal adjustment of 180mm.
- High backrest.
- Backrest adjustment.
- Lock out lever (locks suspension when off highway)
- Available with right hand controls.
- Trimmed in breathable black fabric.

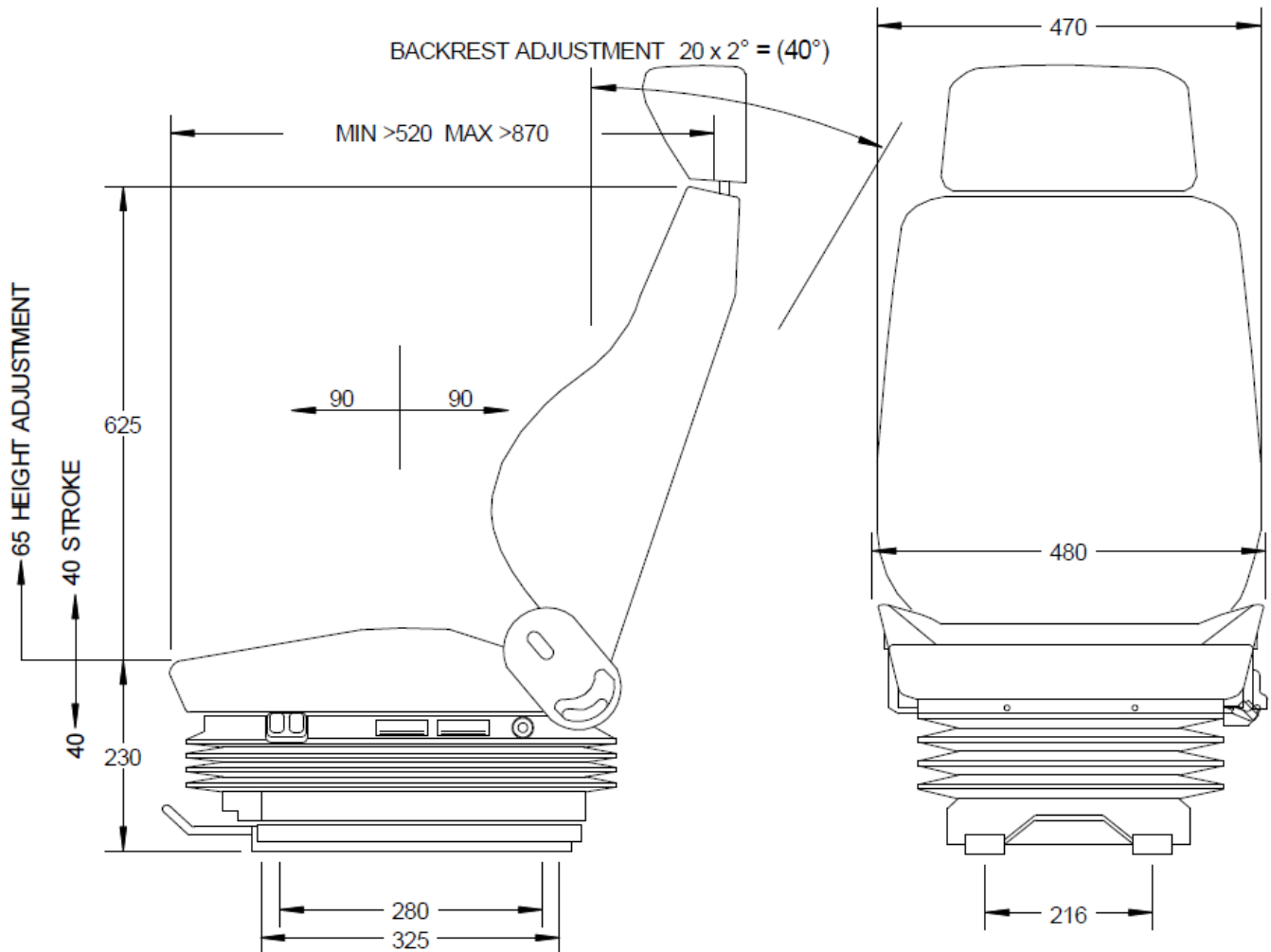
Accessories:

- Headrest
- Armrests
- Lapbelt
- Swivel



SEATS NZ FABRIC AIR SUSPENSION SEAT

TECHNICAL DRAWING



Please Note: This technical drawing may not accurately depict the exact dimensions as some seat models are subject to change without notification.

SEATS NZ VINYL AIR SUSPENSION SEAT

DRIVERS SEAT



A safe and comfortable suspension seat for your vehicle. This self-leveling air suspension seat comes with a high backrest, twin chamber air lumbar support, vinyl upholstery and many other features.

Features Include:

- Supports a weight range 50kg - 130kg.
- Mechanical height adjustment of 65mm.
- Twin chamber air lumbar support.
- Horizontal adjustment of 180mm.
- High backrest.
- Backrest adjustment.
- Lock out lever (locks suspension when off highway)
- Available with right hand controls.
- Trimmed in black leather look vinyl.

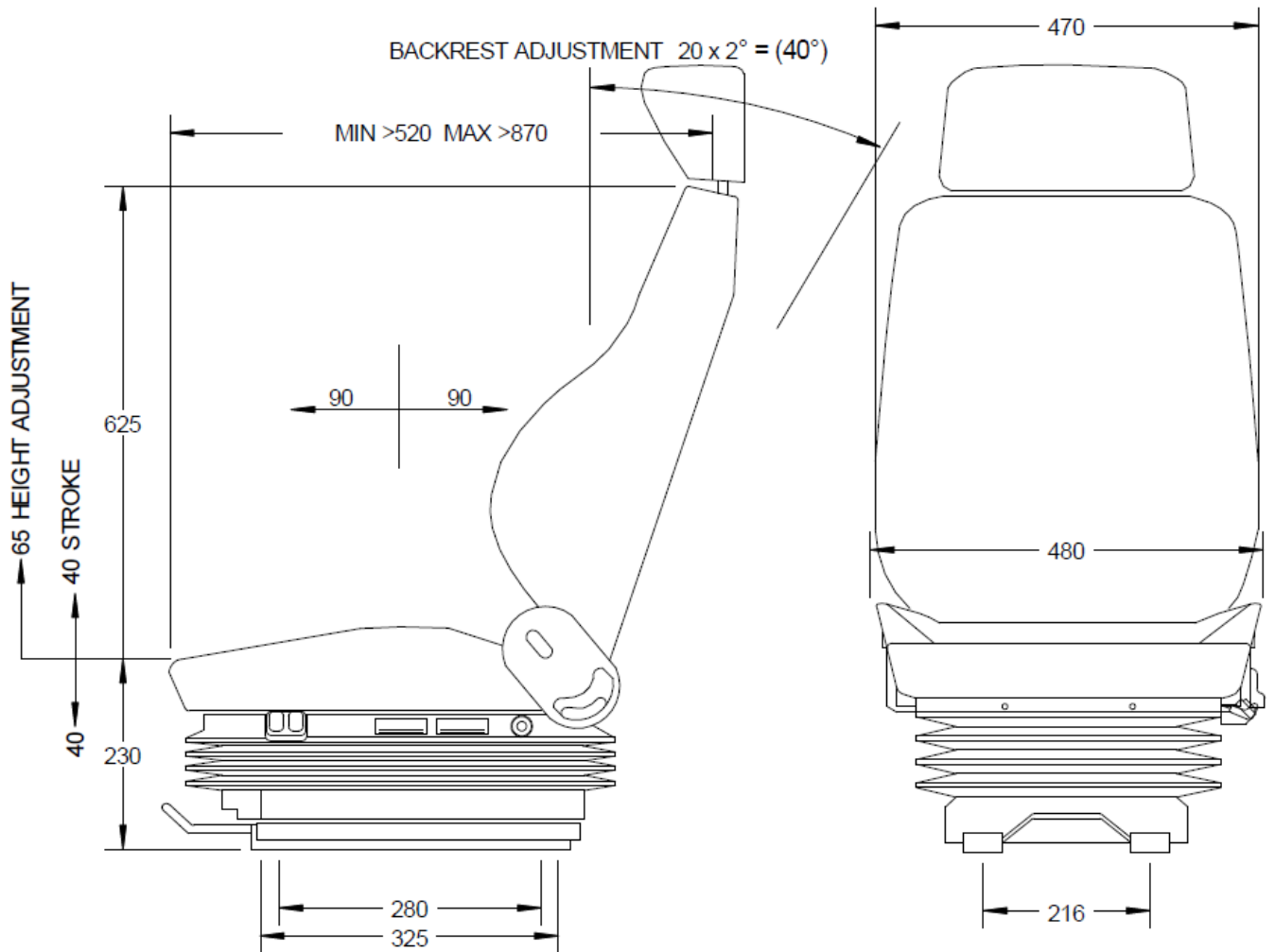
Accessories:

- Headrest
- Armrests
- Lapbelt
- Swivel



SEATS NZ VINYL AIR SUSPENSION SEAT

TECHNICAL DRAWING



Please Note: This technical drawing may not accurately depict the exact dimensions as some seat models are subject to change without notification.



SEATS NZ FRONT CONTROL MECHANICAL SUSPENSION SEAT

DRIVERS SEAT



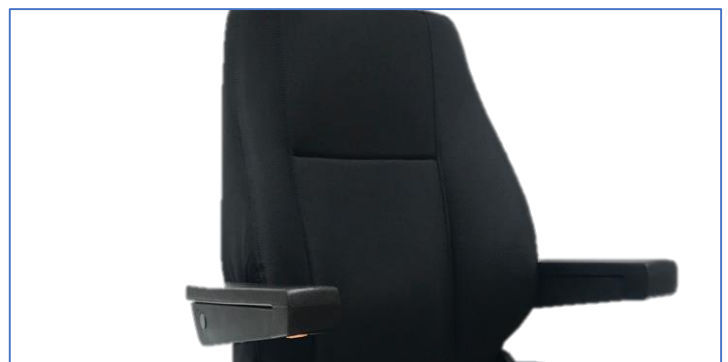
A safe and comfortable suspension seat for your vehicle. This mechanical suspension seat comes with a high backrest, fabric upholstery, complete with headrest and armrests included.

Features Include:

- Supports a weight range 50kg - 130kg.
- Mechanical height adjustment of 65mm.
- Horizontal adjustment of 180mm.
- High backrest.
- Backrest adjustment.
- Front controls.
- Headrest and armrests included,
- Trimmed in breathable black fabric.

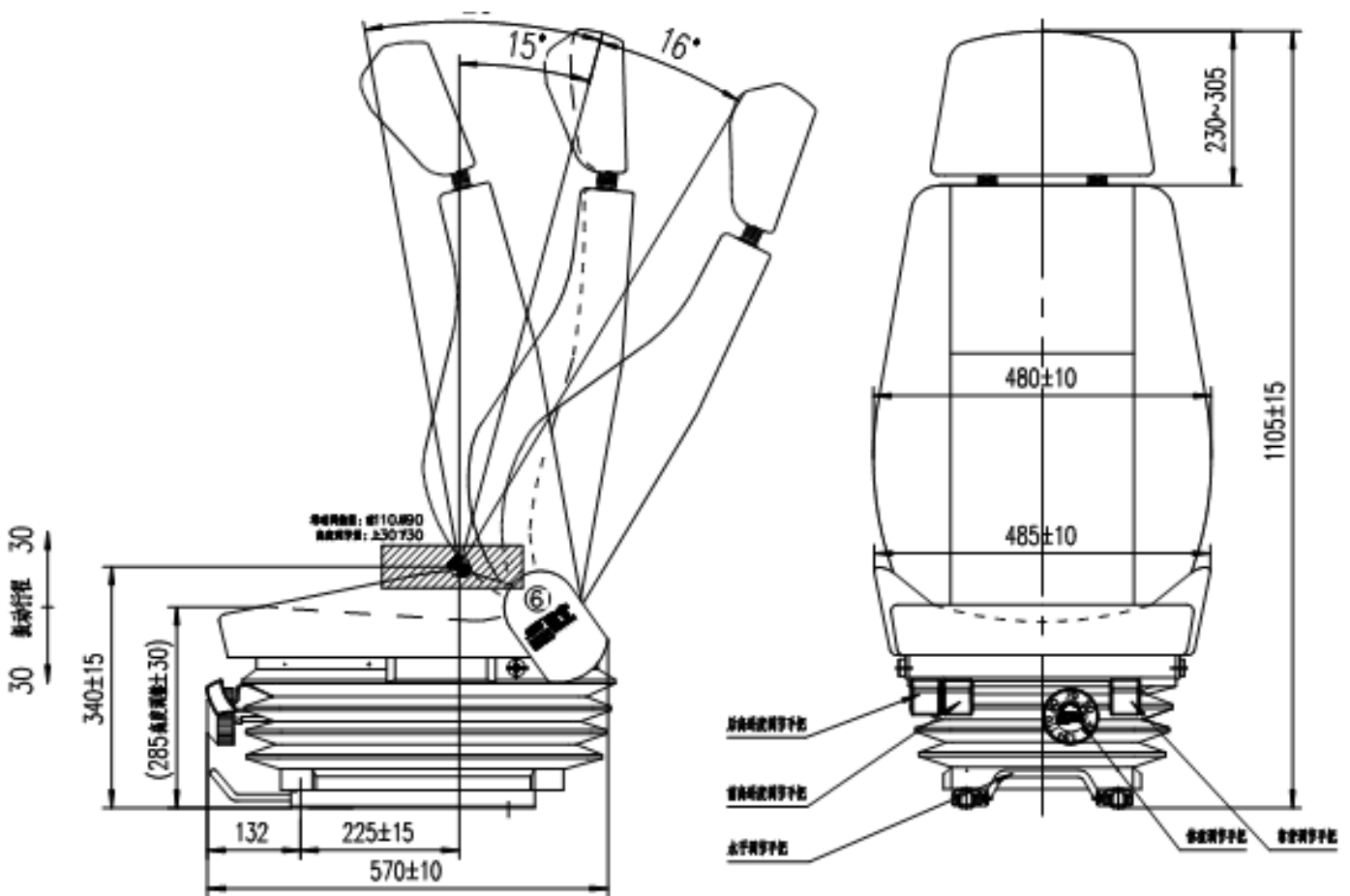
Accessories:

- Lapbelt
- Swivel



SEATS NZ FRONT CONTROL MECHANICAL SUSPENSION SEAT

TECHNICAL DRAWING



Please Note: This technical drawing may not accurately depict the exact dimensions as some seat models are subject to change without notification.

SEATS NZ FABRIC MECHANICAL SUSPENSION SEAT

DRIVERS SEAT



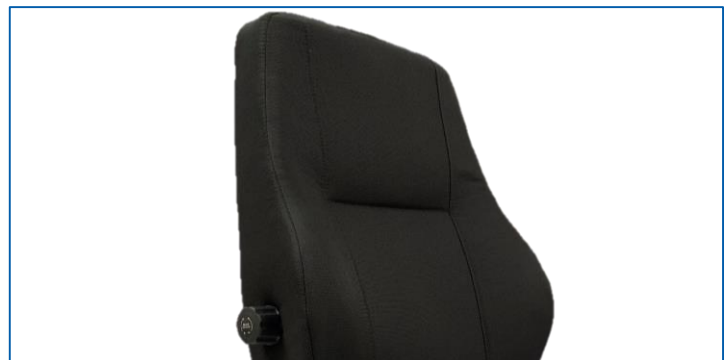
A safe and comfortable suspension seat for your vehicle. This mechanical suspension seat comes with a high backrest, manual lumbar support, fabric upholstery and many other features.

Features Include:

- Supports a weight range 50kg - 130kg.
- Mechanical height adjustment of 65mm.
- Manual lumbar support.
- Horizontal adjustment of 180mm.
- High backrest.
- Backrest adjustment.
- Lock out lever (locks suspension when off highway)
- Available with right hand controls.
- Trimmed in breathable black fabric.

Accessories:

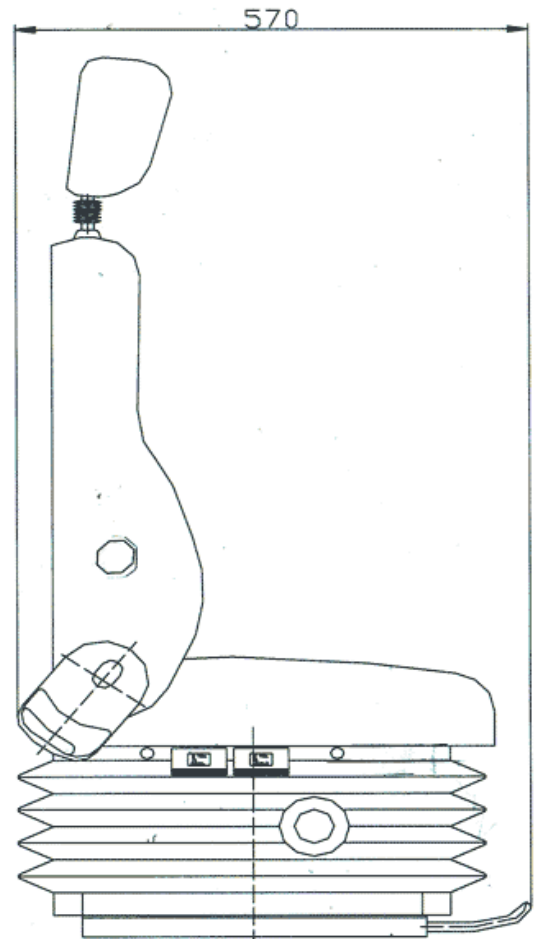
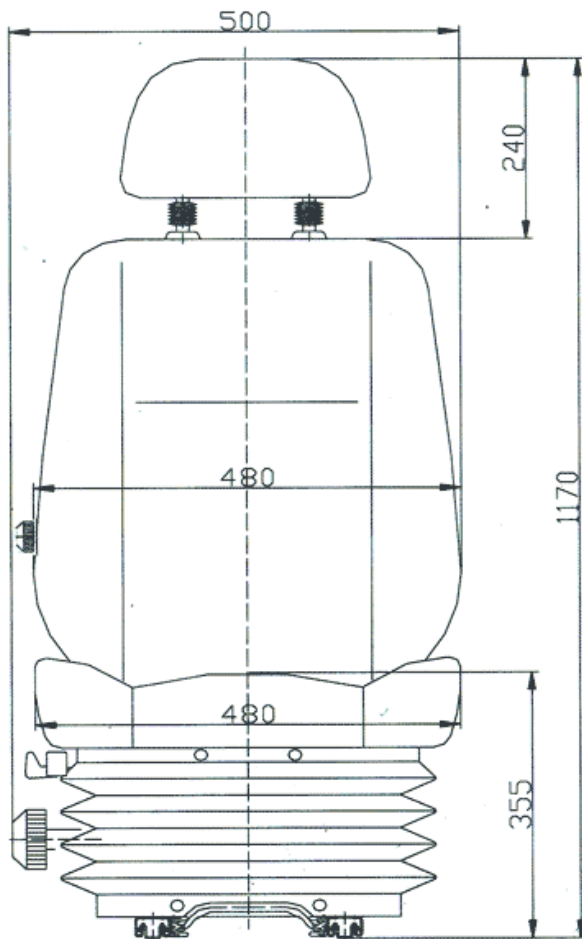
- Headrest
- Armrests
- Lapbelt
- Swivel



SEATS NZ

FABRIC MECHANICAL SUSPENSION SEAT

TECHNICAL DRAWING



Please Note: This technical drawing may not accurately depict the exact dimensions as some seat models are subject to change without notification.

SEATS NZ VINYL MECHANICAL SUSPENSION SEAT

DRIVERS SEAT



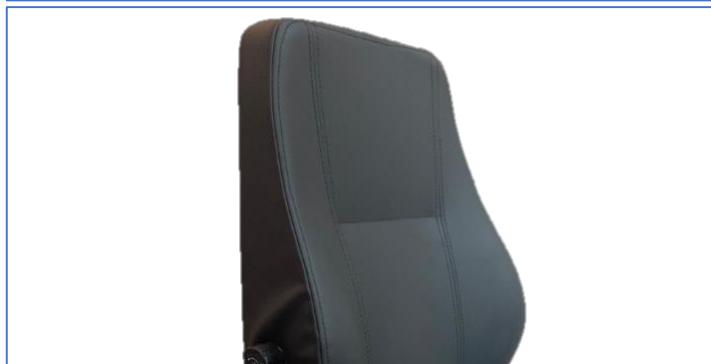
A safe and comfortable suspension seat for your vehicle. This mechanical suspension seat comes with a high backrest, manual lumbar support, vinyl upholstery and many other features.

Features Include:

- Supports a weight range 50kg - 130kg.
- Mechanical height adjustment of 65mm.
- Manual lumbar support.
- Horizontal adjustment of 180mm.
- High backrest.
- Backrest adjustment.
- Lock out lever (locks suspension when off highway)
- Available with right hand controls.
- Trimmed in black leather look vinyl.

Accessories:

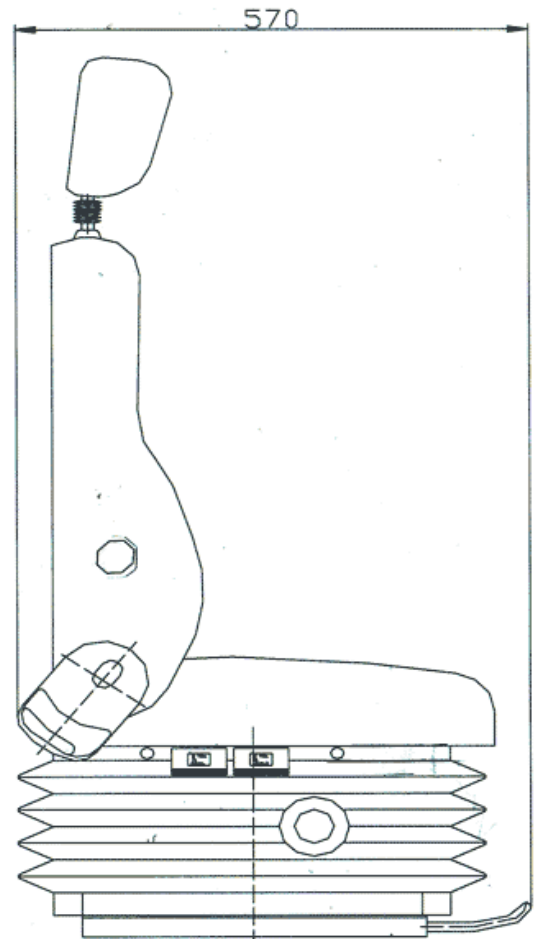
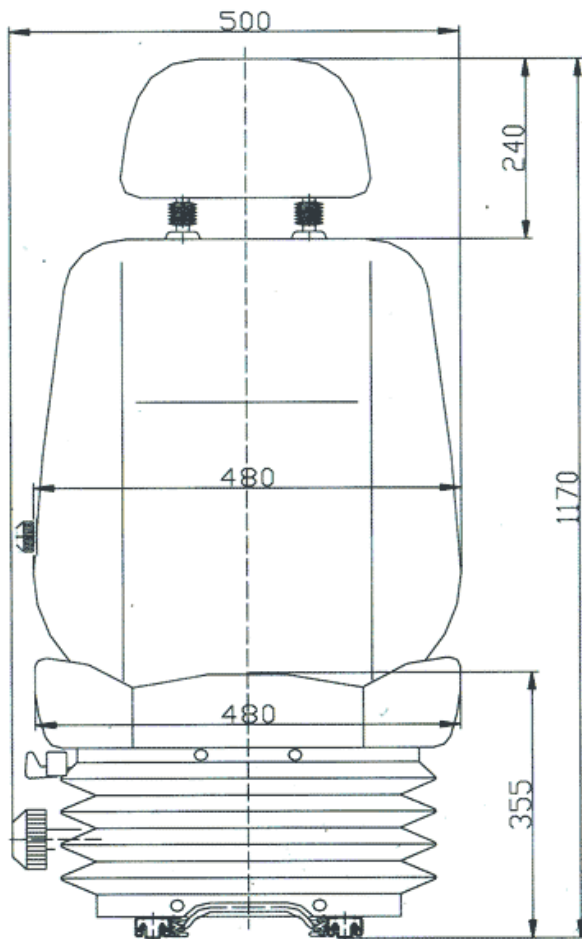
- Headrest
- Armrests
- Lapbelt
- Swivel



SEATS NZ

VINYL MECHANICAL SUSPENSION SEAT

TECHNICAL DRAWING



Please Note: This technical drawing may not accurately depict the exact dimensions as some seat models are subject to change without notification.

SNZ 363 FULL SUSPENSION SEAT PVC WITH HEIGHT ADJUSTMENT

DRIVERS SEAT



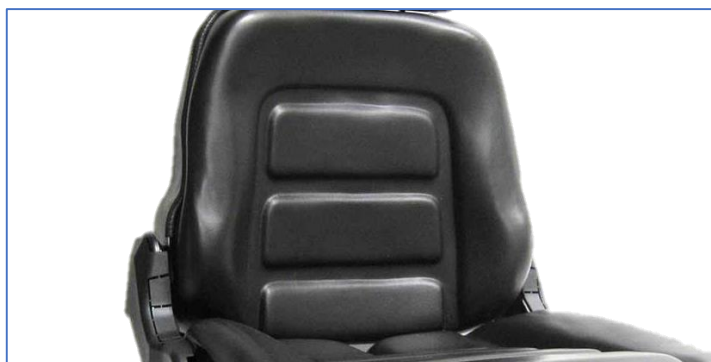
A safe and comfortable suspension seat for your vehicle. This mechanical suspension seat comes trimmed in waterproof PVC with drainage holes for all weather operation. Additional features incl. complete fold down backrest to flat and aft slide travel.

Features Include:

- Waterproof PVC trim with drainage channels
- 60mm Height adjustment in 3 steps
- Occupant weight adjustment from 50 to 120kg
- 70mm Suspension stroke
- 150mm Fore / aft slide travel
- Backrest recline

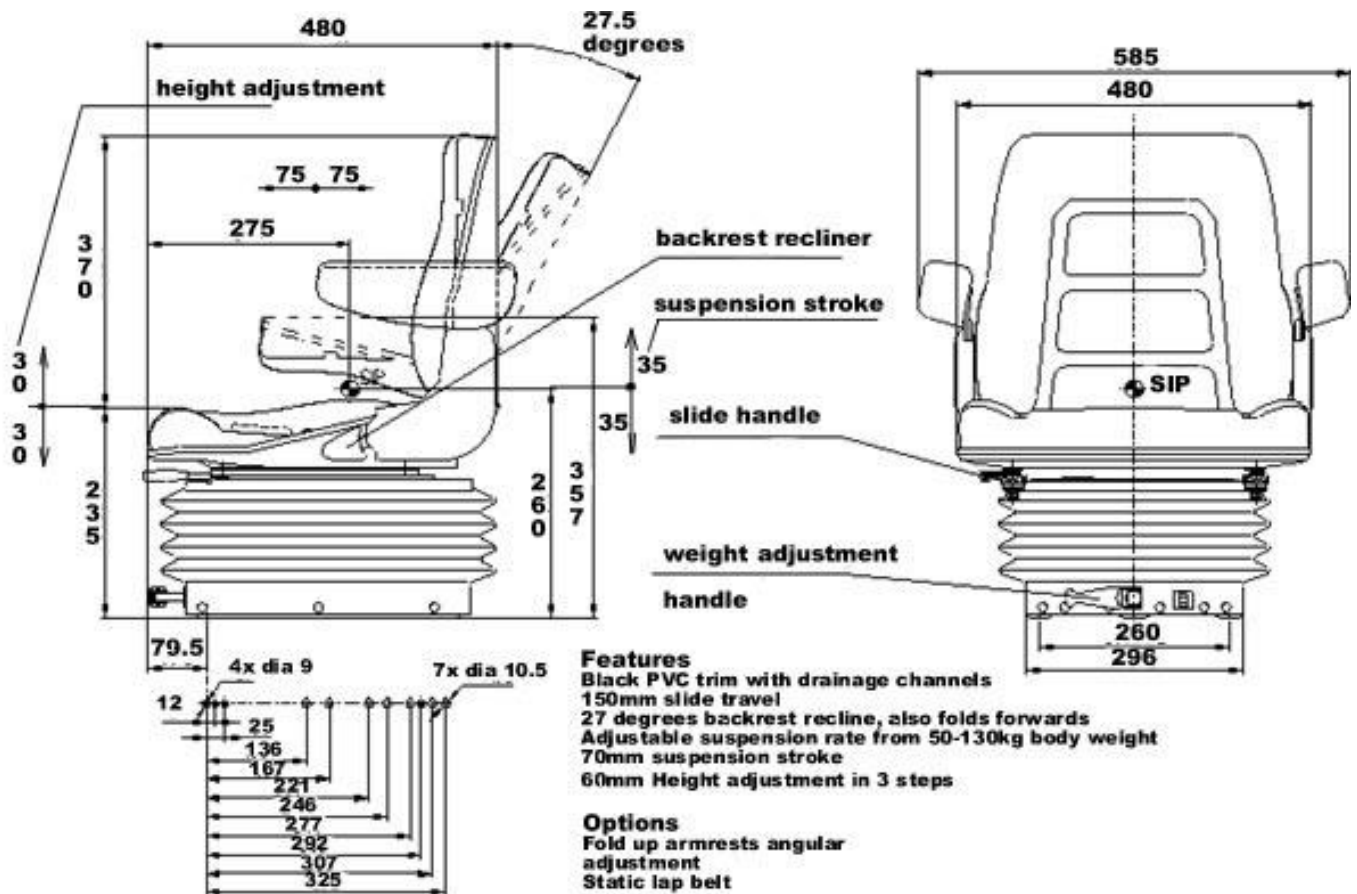
Accessories:

- Headrest (not included).
- Armrests
- Lapbelt



SNZ 363 FULL SUSPENSION SEAT PVC WITH HEIGHT ADJUSTMENT

TECHNICAL DRAWING



Please Note: This technical drawing may not accurately depict the exact dimensions as some seat models are subject to change without notification.

SNZV 362-01 SEMI-SUSPENSION SEAT

DRIVERS SEAT



All weather PVC trim.
150mm fore aft slide travel.
8 degree backrest recline.
3 step suspension adjustment from 50-120kg.

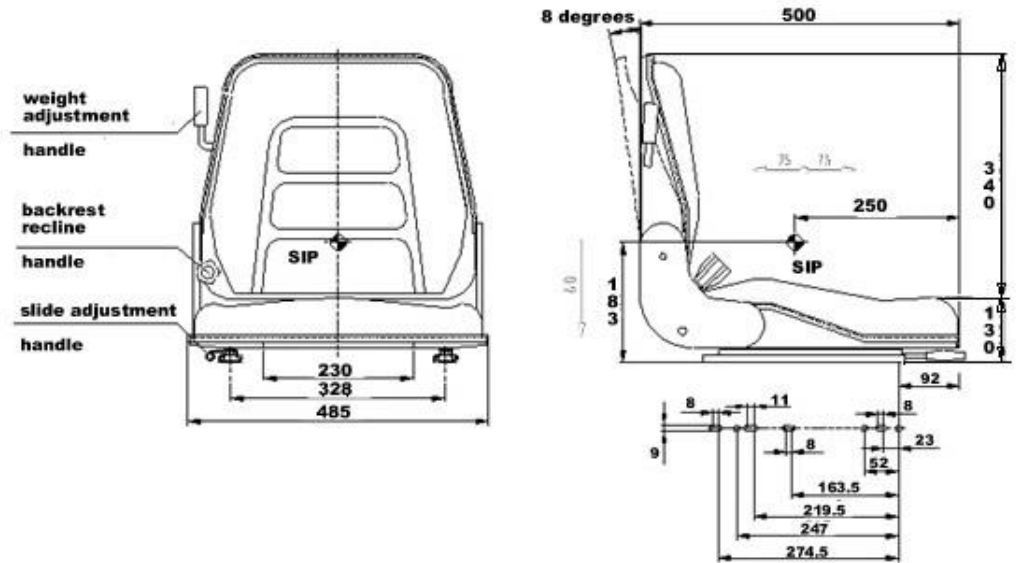
SNZ 363-03 RECLINING RIGID SEAT

DRIVERS SEAT



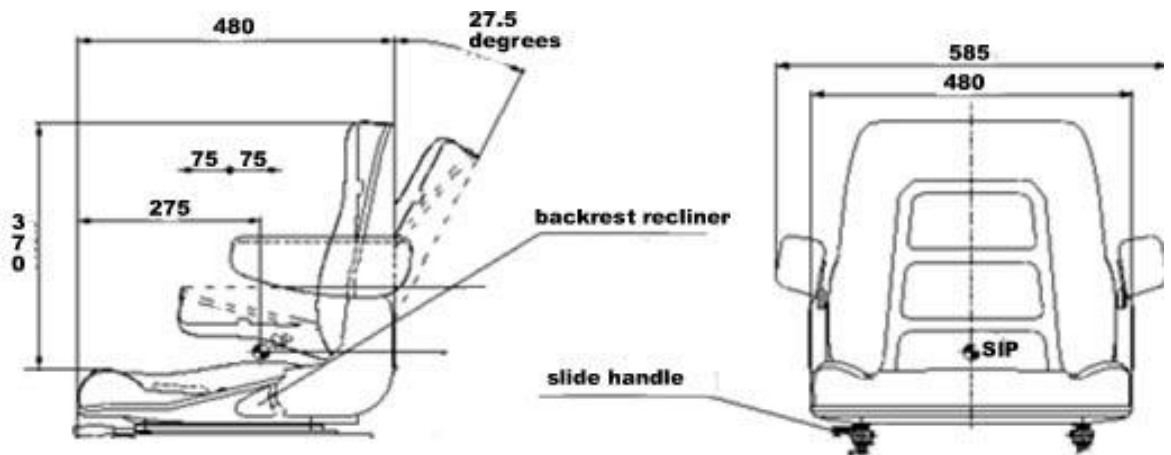
Fore/aft slide travel.
Seat fixing centres thru slides across the seat 330mm.
Under slides to seat cushion base height at front 120mm.
27 degrees backrest recline.
Cushion base width 470mm.
Backrest folds forwards flat.

SNZV 362-01 SEMI-SUSPENSION SEAT



Please Note: This technical drawing may not accurately depict the exact dimensions as some seat models are subject to change without notification.

SNZ 363-03 RECLINING RIGID SEAT



Please Note: This technical drawing may not accurately depict the exact dimensions as some seat models are subject to change without notification.

SNZ 368-01 PAN SEAT WITH SLIDERS



DRIVERS SEAT

**All weather PVC trim.
140mm fore aft slide travel.
Water drainage holes.**

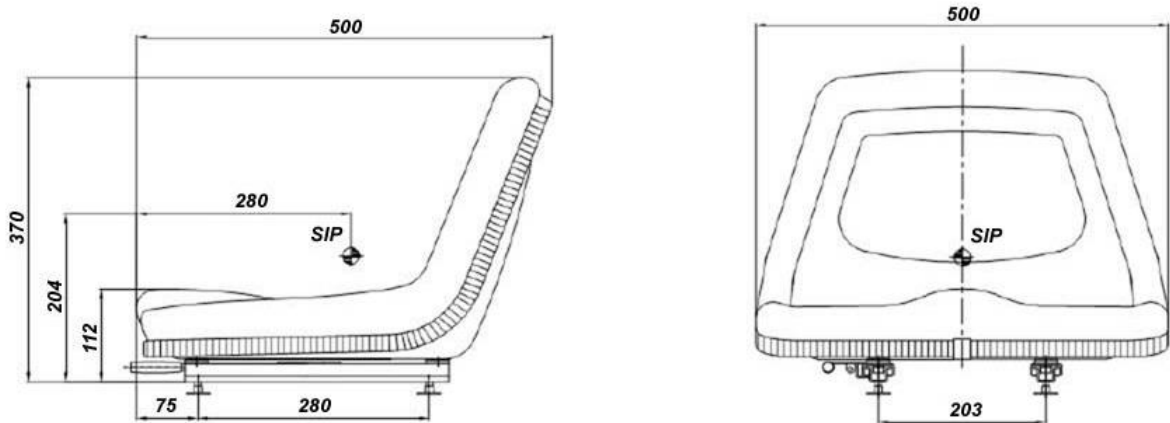
SNZV 368 FIXED PAN SEAT



DRIVERS SEAT

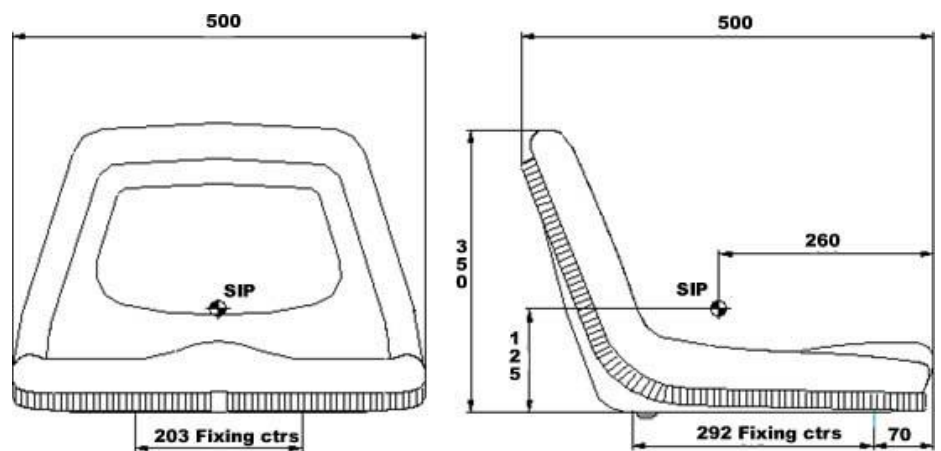
**All weather PVC trim.
Water drainage holes.
Fixed seat, no sliders.**

SNZ 368-01 PAN SEAT WITH SLIDERS



Please Note: This technical drawing may not accurately depict the exact dimensions as some seat models are subject to change without notification.

SNZV 368 FIXED PAN SEAT



Please Note: This technical drawing may not accurately depict the exact dimensions as some seat models are subject to change without notification.



Office: + 64 9 630 2179

Mobile: +64 21 577 542

Sales: sales@seats.co.nz

www.seats.co.nz